



SHERWOOD INDUSTRIES IS AN ENVIRONMENTALLY RESPONSIBLE COMPANY. THIS MANUAL IS PRINTED ON RECYCLED PAPER.

PLEASE KEEP THESE INSTRUCTIONS FOR FUTURE REFERENCE



# DV50DX

BY: SHERWOOD INDUSTRIES LTD

## OWNER'S MANUAL

### WHAT TO DO IF YOU SMELL GAS

- Open windows/extinguish any open flame.
- Do not try to light any appliance.
- Do not touch any electrical switch or use any phone in your building.
- Immediately call your gas supplier from a neighbour's phone. Follow the gas supplier's instructions.
- If you cannot reach your gas supplier, call the fire department.

This appliance may be installed in an after market permanently located, manufactured (mobile) home, where not prohibited by local codes.

This appliance is only for use with the type of gas indicated on the rating plate. This appliance is not convertible for use with other gases, unless a certified kit is used.

### WARNING

**If the information in this manual is not followed exactly, a fire or explosion may result causing property damage, personal injury or loss of life. Installation and service must be performed by a qualified installer, service agency or the gas supplier.**

Massachusetts installations (Warning): This product must be installed by a licensed plumber or gas fitter when installed within the Commonwealth of Massachusetts. Other Massachusetts code requirements: Flexible connector must not be longer than 36in, shut off valve must be a "T" handle gas cock; only direct vent sealed combustion products are approved for bedrooms/bathrooms; fireplace dampers must be removed or welded in the open position prior to the installation of a fireplace insert or gas log.



### FOR YOUR SAFETY

**Do not store or use gasoline or other flammable vapours and liquids in the vicinity of this or any other appliance.**

# SAFETY PRECAUTIONS

## FOR SAFE INSTALLATION AND OPERATION OF YOUR “ENVIRO” HEATER, PLEASE CAREFULLY READ THE FOLLOWING INFORMATION:

- All ENVIRO gas-fired appliances must be installed in accordance with their instructions. Carefully read all the instructions in this manual first. Consult the building authority having jurisdiction to determine the need for a permit prior to commencing the installation.
- **NOTE:** Failure to follow these instructions could cause a malfunction of the fireplace, which could result in death, serious bodily injury, and/or property damage.
- Failure to follow these instructions may also void your fire insurance and/or warranty.

### GENERAL

- Installation and repair should be done by a qualified service person. The appliance should be inspected before the first use and, at least, annually by a qualified service person. More frequent cleaning may be required due to excessive lint from carpeting, bedding material, etc. It is imperative the control compartments, burners and circulating air passageways of the appliance be kept clean.
  - Due to high temperatures, the appliance should be located out of high traffic areas and away from furniture and draperies.
- Children and adults should be alerted to the hazards of high surface temperatures and should stay away to avoid burn or clothing ignition.**
- Young children should be carefully supervised when in the same room as the appliance.
  - Clothing or other flammable materials should not be placed on or near the appliance.

### FOR YOUR SAFETY

- Installation and service must be performed by a qualified installer, service agency or gas supplier.
- This installation must conform to local codes or, in the absence of local codes, to the current CAN/CGA-B149 installation code (Canada) or National Fuel Gas Code ANSI Z223.1.2 (USA)

- To prevent injury, do not allow anyone who is unfamiliar with the stove to operate it.

**• To prevent injury, if the pilot or pilot and burners have gone out on their own, open the glass door and wait 5 minutes to air out before attempting to re-light the stove.**

- Always keep the area around these appliances clear of combustible material, gasoline and other flammable liquids and vapours.
- These appliances should not be used as a drying rack for clothing or for hanging Christmas stockings/decorations.
- Due to the paint curing on the stove, a faint odor and slight smoking will likely be noticed when the stove is first used. Open a window until the smoking stops.

Always connect this gas stove to a vent system and vent to the outside of the building envelope. Never vent to another room or inside the building. Make sure the specified vent pipe is used, properly sized and of adequate height to provide sufficient draft. Inspect the venting system annually for blockage and signs of deterioration.

**WARNING:** Failure to position the parts in accordance with the diagrams in this booklet, or failure to use only parts specifically approved with this appliance, may result in property damage or personal injury.

**WARNING:** Do not operate with the glass front removed, cracked or broken. Replacement of the glass should be done by a licensed or qualified service person.

- Never use solid fuels such as wood, paper, cardboard, coal, or any flammable liquids, etc., in this appliance.
- Do not use this heater if any part has been under water. Immediately call a qualified service technician to inspect the heater and to replace any part of the control or gas control systems that have been under water.
- Do not abuse the glass by striking it or slamming the door shut.

# TABLE OF CONTENTS

---

Safety Precautions.....	2
Table of Contents.....	3
Codes And Approvals.....	4
Specifications.....	5
Dimensions.....	5
Rating Label Location.....	5
Operating Instructions.....	6
Pilot Lighting Instructions.....	6
Pilot Light.....	7
Venturi Adjustment.....	7
Burner Lighting.....	8
Remote Controls.....	8
Air Diverter Control.....	8
Blower Speed.....	8
Maintenance And Service.....	9
Routine Maintenance.....	9
Cleaning The Glass.....	9
Cleaning The Firebox.....	9
Replacing Glass.....	9
Cleaning Decorative Surfaces.....	10
Glass Door Removal.....	10
Fuel Conversion.....	11
Initial Installation.....	12
Introduction.....	12
Placement.....	12
Corner Installation.....	13
Raised Fireplaces and Hearths.....	13
Fireplace Surround.....	14
Mantle Clearances.....	15
Vent Parts and Terminal Clearances.....	15
Vent Termination Restrictions.....	16
Venting.....	17
Vent Configurations and Restrictor Settings.....	18
Horizontal Termination.....	19
Vertical Termination.....	20
Ducting.....	23
Electrical Requirements.....	24
Gas Line Connection and Testing.....	25
Secondary Installation.....	26
Ceramic Brick Liner Removal.....	26
Log Set and Ember Installation.....	26
Log Set Assembly.....	27
Burner and Fan Removal.....	30
Troubleshooting.....	31
Parts List - Components.....	32
Parts Diagram.....	33
Parts List- Options.....	34
Warranty.....	35
Installation Data Sheet.....	36

## CODES AND APPROVALS

**DIRECT VENT ONLY:** This type is identified by the prefix DV. This appliance draws all of its air for combustion from outside the dwelling, through a specially designed vent pipe system.

This appliance has been tested and approved for installations from 0 feet to 4500 feet (1372 m) above sea level.

**In the USA:** The appliance may be installed at higher altitudes. Please refer to your American Gas Association guidelines which state: the sea level rated input of Gas Designed Appliances installed at elevations above 2000 (610 m) feet is to be reduced 4% for each 1000 feet (305 m) above sea level. Refer also to local authorities or codes which have jurisdiction in your area regarding the de-rate guidelines.

**In Canada:** When the appliance is installed at elevations above 4500 feet (1372 m), the certified high altitude rating shall be reduced at the rate of 4% for each additional 1000 feet (305 m).

- This appliance has been tested by INTERTEK (**Warnock Hersey**) and found to comply with the established VENTED GAS FIREPLACE HEATER standards in CANADA and the USA as follows:

### VENTED GAS FIREPLACE HEATER (DV50DX; NG/LPG)

TESTED TO: ANSI Z21.88a-2003/CSA 2.33a-2003 VENTED GAS FIREPLACE HEATERS

CAN/CGA 2.17-M91 GAS FIRED APPLIANCES FOR HIGH ALTITUDES

CSA P.4.1-02 TESTING METHOD FOR MEASURING ANNUAL FIREPLACE EFFICIENCY

### This ENVIRO DV50DX Fireplace:

- Has been certified for use with either natural or propane gases. (See rating label.)
- Is not for use with solid fuels.
- Is approved for bedroom or bed sitting room. (**IN CANADA:** must be installed with a listed wall thermostat. **IN USA:** see current ANSI Z223.1 for installation instructions.)
- Must be installed in accordance with local codes. If none exist, use current installation code CAN/CGA B149 in Canada or ANSI Z223.1/NFPA 54 in the USA.
- Must be properly connected to an approved venting system and not connected to a chimney flue serving a separate solid-fuel burning appliance.

**IMPORTANT NOTICE (Regarding first fire up):** When the unit is turned on for the first time, it should be turned onto high without the fan on for the first 4 hours. This will cure the paint, logs, gasket material and other products used in the manufacturing process. It is advisable to open a window or door, as the unit will start to smoke and can irritate some people. After the unit has gone through the first burn, turn the unit off including the pilot, let the unit get cold then remove the glass door and clean it with a good gas fireplace glass cleaner, available at your local ENVIRO dealer.

NATIONAL  
FIREPLACE  
INSTITUTE



CERTIFIED

[www.nficertified.org](http://www.nficertified.org)

We recommend that our gas hearth products be installed and serviced by professionals who are certified in the U.S. by the National Fireplace Institute® (NFI) as NFI Gas Specialists.

# SPECIFICATIONS

## INSTALLATION OPTIONS:

- Parallel to a wall or placed in a corner
- With a floor hearth or raised up the wall
- Ducting to other rooms
- Vertical or horizontal venting

## WARNING:

Operation of this heater when not connected to a properly installed and maintained venting system can result in carbon monoxide (CO) poisoning and possible death.

## DIMENSIONS:

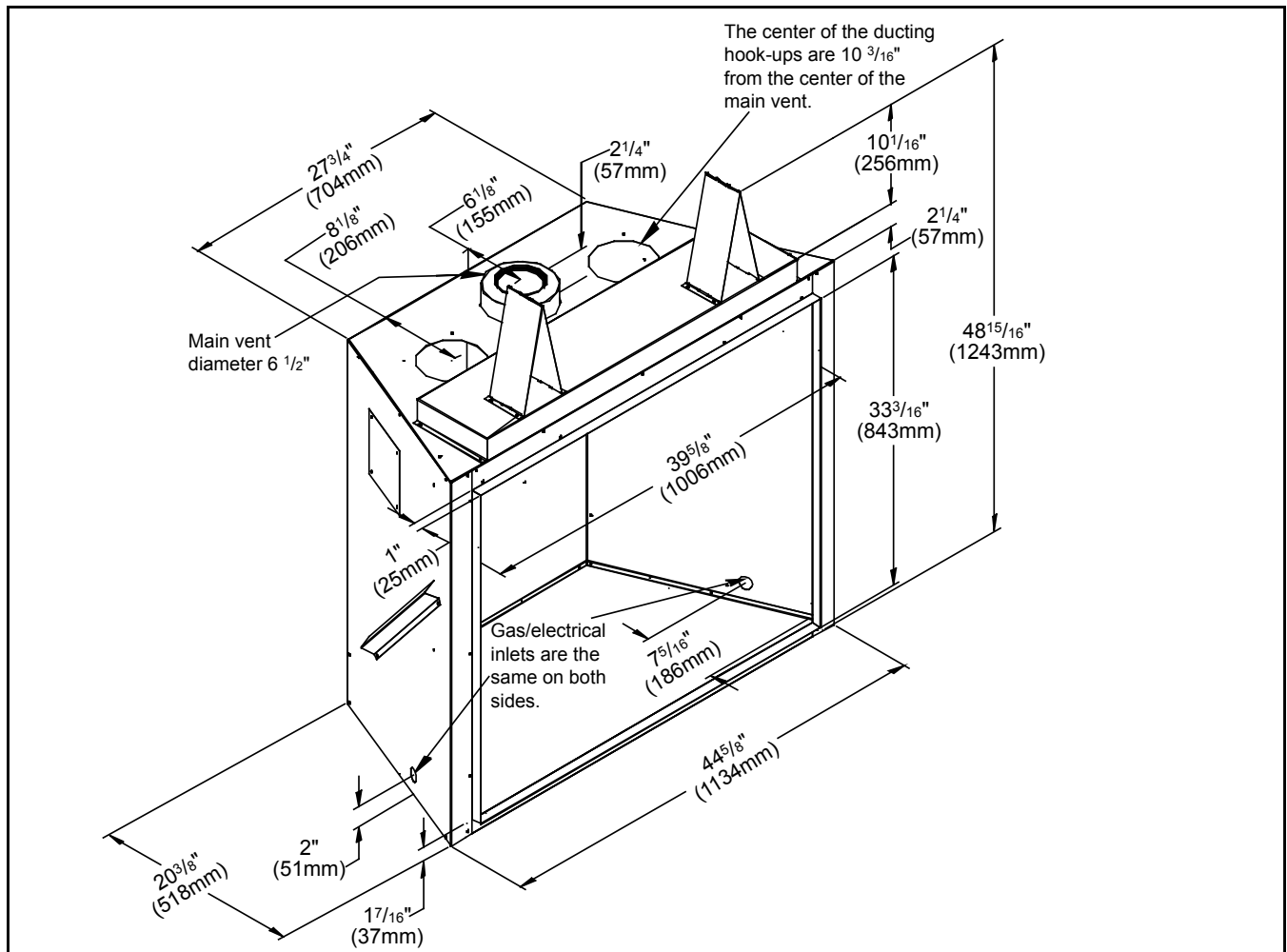


Figure 1. Dimensions of the Firebox.

## RATING LABEL LOCATION:

The rating label is located under the control panel and is attached to a rectangular metal sheet that is chained to the fireplace.

# OPERATING INSTRUCTIONS

**For Your Safety, Read Safety Precautions And Lighting Instructions Before Operating.**

**WARNING: IF YOU DO NOT FOLLOW THESE INSTRUCTIONS EXACTLY A FIRE OR EXPLOSION MAY RESULT, CAUSING PROPERTY DAMAGE, PERSONAL INJURY OF LOSS OF LIFE.**

## PILOT LIGHTING INSTRUCTIONS:

**CAUTION:** Hot while operating. Do not touch. Severe burns may result. Keep children, clothing, furniture, gasoline or other flammable vapors away.

**CAUTION:** Do not operate this fireplace with the glass removed, cracked or broken. Replacement of the panel(s) should be done by a licensed or qualified person! This appliance needs fresh air for safe operation and must be installed with provisions for combustion and ventilation air. See installation and operating instructions manual. Keep burner and control compartment clean.

**WARNING:** Improper installation, adjustment, alteration, service or maintenance can cause injury or property damage, or loss of life. Refer to owner's information manual provided with this appliance. For assistance or additional information consult a qualified installer, service agency or the gas supplier.

Keep burner and control compartment clean. See installation and operating instructions accompanying appliance.

### FOR YOUR SAFETY READ BEFORE




**WARNING: IF YOU DO NOT FOLLOW THESE INSTRUCTIONS EXACTLY, A FIRE OR EXPLOSION MAY RESULT CAUSING PROPERTY DAMAGE, PERSONAL INJURY OR LOSS OF LIFE.**

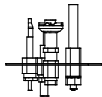
- A) This appliance is equipped with a pilot, which must be lit by hand by following these instructions exactly.
- B) BEFORE LIGHTING smell all around the appliance area for gas and next to the floor because some gas is heavier than air and will settle on the floor.
- C) Use only your hand to push in or turn the gas control knob; NEVER use tools. If the knob will not push in or turn by hand, do not try to repair it. Call a qualified service technician. Force or attempted repair may result in a fire or explosion.
- D) Do not use this appliance if any part has been under water. Immediately call a qualified service technician to inspect the appliance and to replace any part of the control system and any gas control which has been under water.

#### WHAT TO DO IF YOU SMELL GAS:

Do not try to light any appliance. Do not touch any electrical switch: do not use any phone in your building. Immediately call your gas supplier from a neighbors' phone. Follow the gas suppliers instructions. If you cannot reach your gas supplier, call the fire department.

### LIGHTING INSTRUCTIONS

1. STOP! Read the safety information above on this label.
2. Turn off all electrical power to this appliance.
3. Turn off the gas control knob clockwise  to the off position.
4. Open door. Wait five (5) minutes to clear out any gas. Close door. If you smell gas STOP! Follow "B" in the above safety information. If you do not smell gas go to the next step.
5. Find pilot-located to the right behind the side log. Turn the gas control knob counter-clockwise  to "PILOT". Push the gas control in fully and hold, Keep knob depressed for about 30 seconds after pilot is lit. Release knob. If pilot goes out, repeat steps 4 through 5.
6. Turn the gas control knob counter clockwise  to the "ON" position. Flip the burner switch to "ON" THEN TURN THE "HI/LOW" knob to the desired setting.
7. Turn on the electrical power to the unit.



### TO TURN OFF GAS TO APPLIANCE

1. Flip burner switch to "OFF"
2. Turn the gas control knob clockwise  to the "OFF" position
3. Turn off all electrical power to the appliance if service is to be performed.

C-10078

**Figure 2. Lighting instruction label.**

# OPERATING INSTRUCTIONS

## PILOT LIGHT:

1. Turn off the gas to the fireplace. **If not recently done, remove the glass and let the unit air out for at least five (5) minutes to clear out any gas.** Turn on gas to the heater. Leak test all joints with soapy water. **NEVER USE AN OPEN FLAME FOR LEAK TESTING.**
2. Start the pilot by pressing the gas control knob and turning it to PILOT. While holding the gas control knob in, press the piezo ignitor several times until the pilot light starts. Hold the gas control knob in for thirty (30) seconds. Check that the pilot has fully engulfed the thermocouple assembly (see Figure 3).
3. Start the main burner by turning the gas control knob to ON and then turn the rocker switch to ON. Check that all burner ports have flame.
4. Leak test all gas joints again.

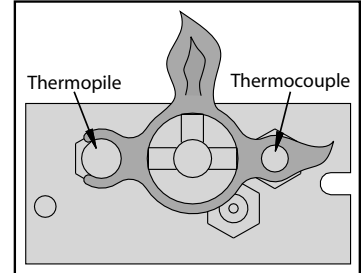


Figure 3. Pilot flame.

## VENTURI ADJUSTMENT:

The venturi adjustment lever is centered above the control panel.

The venturi allows the amount of air coming into the fireplace to be adjusted in order to accommodate different climates and venting arrangements. Start the pilot and then the burner. Make sure the pilot flame is burning normally and none of the burner ports are plugged. Let the fireplace burn for roughly fifteen (15) minutes and then examine the flames.



Figure 4. Venturi Adjustment Lever

The ideal flame will be blue at the base and light orange above (see Figure 42). The flames should be of medium height. If the flames look like this, no venturi adjustment is needed. If the flames are fairly short and mostly blue, the fireplace is getting too much air. Therefore, the air shutter should be closed (push in) slightly until the correct flames are achieved. Flames that are very orange, with tall dark stringy tips are not getting enough air. Open (pull out) the venturi until the flames clean up. If the venturi is opened, then closed all the way, and the correct flames cannot be attained, turn off the gas and contact the dealer.

**Warning:** Incorrect venturi adjustment may lead to improper combustion, which is a safety hazard. Contact the dealer if there is any concern about the venturi adjustment.

**NEVER USE AN OPEN FLAME FOR LEAK TESTING**

# OPERATING INSTRUCTIONS

## BURNER LIGHTING:

- A) Make sure the pilot is lit.
- B) Turn gas control knob COUNTER CLOCKWISE to ON.
- C) Flip the burner switch to ON.
- D) Turn HI/LO knob to the desired flame height.
- E) Turn on all electrical power to the unit.

**NOTE:** Check that all burner holes are lit.

## TO TURN GAS FIREPLACE OFF

Flip switch to OFF to turn off burners only.

If the fireplace is to be turned off for the season, or for servicing, turn the gas shut off valve to OFF. DO NOT FORCE IT. If the unit is going to be serviced, turn off the electrical power to the unit as well.

**NOTE:** When the unit is turned on for the first time, it should be turned onto high, with the fan OFF, for the first four (4) hours. This will cure the paint, logs, gasket material, and other products used in the manufacturing process. It is advised that a door or window be opened as the unit will start to smoke, which can irritate some people. After the unit has gone through the first burn, turn the unit OFF, including the pilot, and let the unit get completely cold. Then remove the glass and clean it with a good gas fireplace glass cleaner, available at your local Enviro dealer. See MAINTENANCE AND SERVICE - CLEANING THE GLASS and MAINTENANCE AND SERVICE - GLASS DOOR REMOVAL.

## REMOTE CONTROLS:

This fireplace can use an optional remote control or an optional cordless wall thermostat. If either of these are to be used to control the fireplace for the majority of the time, leave the ON/OFF switch (on the control panel) in the remote/thermostat position. Consult the instructions included with the remote/wall thermostat for operation guidelines.

## AIR DIVERTER CONTROL:

When the blower is on, the amount of air flow into the room can be adjusted with the air diverter. When the lever is to the far left the room receives the air, when the lever is to the far right the air goes out the duct and when the lever in the middle the air goes to both the duct and the room. Lever is found above the right end of the control panel, see Figure 6.



Figure 6. Air Diverter

## BLOWER SPEED:

The blower will come on only when the fireplace is up to temperature (approximately 20 minutes). The speed of the fan can be changed by turning the fan control knob. To turn the blower off, turn the knob COUNTER CLOCKWISE until it "clicks" off (Figure 7).

It is advisable not to operate the blower below  $\frac{1}{3}$  speed as it puts a strain on the windings of the blower and running the blower at lower speeds could also cause premature fan failure.

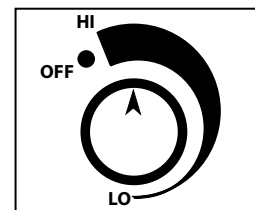


Figure 7. Fan Control



Figure 5. Control Panel



# MAINTENANCE AND SERVICE

---

## ROUTINE MAINTENANCE:

---

At least once a year, run through the following procedures to ensure the system is clean and working properly. Check the burner to see if all the ports are clear and clean. Check the pilot to make sure it is not blocked by anything. The pilot flame should be blue with little or no yellow on the tips.

**Warning:** Clearances must be sufficient to allow access for maintenance and service

**Warning:** Failure to position the parts in accordance with this manual, or failure to use only parts specifically approved with this appliance may result in property damage or personal injury.

The venting system must be periodically examined; it is recommended the examination is done by a qualified agency.

## CLEANING THE GLASS:

---

**When the fireplace has cooled**, remove the face of the fireplace along with the glass. See MAINTENANCE AND SERVICE - GLASS DOOR REMOVAL. Check the gasket material on the back of the glass, making sure that it is attached and intact.

During a cold start up, condensation will sometimes form on the glass. This is a normal condition with all fireplaces. However, this condensation can allow dust and lint to cling to the glass surface. Initial paint curing of the appliance can leave a slight film behind the glass, a temporary problem. The glass will need cleaning about two weeks after installation. **Use a mild glass cleaner and a soft cloth; abrasive cleaners will damage the glass and plated surfaces.** Depending on the amount of use, the glass should require cleaning no more than two or three times a season. **Do not clean the glass when it is hot.**

## CLEANING THE FIREBOX:

---

Remove the logs carefully, as they are very fragile. Gently remove all the embers and rock wool and place on a paper towel. Vacuum the bottom of the firebox thoroughly. Carefully clean any dust off the logs and remove any lint from the burner and pilot. At this time, inspect the burner pan for cracking or severe warping. If a problem is suspected, contact the dealer. Check the logs for deterioration or large amounts of soot; a small amount on the bottom side of the logs is normal. Replace the logs and embers as in the LOG SET AND EMBER INSTALLATION section. If new/more embers and rock wool are required, contact your nearest ENVIRO dealer.

## REPLACING GLASS:

---

The glass in the fireplace is a high temperature ceramic. If the glass is damaged in any way, a factory replacement is required (see PARTS LIST - COMPONENTS). Wear gloves when handling damaged glass door assembly to prevent personal injury. When the glass door assembly is being transported, it must be wrapped in newsprint and tape and/or a strong plastic bag. Do not operate with the glass front removed, cracked or broken. Removal and replacement of the glass from the door **must** be done by a licensed or qualified service person. **The glass must be purchased from an ENVIRO dealer. No substitute materials are allowed.**

# MAINTENANCE AND SERVICE

## CLEANING DECORATIVE SURFACES:

Painted and porcelain faces should be wiped with a damp cloth periodically. If a plated face has been purchased, it should be unpacked/unwrapped carefully to avoid getting anything on the surface of the finish, including cleaners, polish and finger prints. It is important to note that fingerprints and other marks can leave a permanent stain on plated finishes. **To avoid this, give the face a quick wipe with denatured alcohol on a soft cloth BEFORE lighting the fireplace.** Never clean the face when it is hot. Do not use other cleaners as they may leave a residue, which can become permanently etched into the surface.

If your fingers come into contact with the antique copper finish, the oils left as fingerprints on the copper can cause discoloration, which will eventually turn green in that area. You can clean the patina or discolored areas of the antique copper finish with "OO" 3M green sanding pads. These can be purchased from most hardware stores. On the areas with discoloration, use the sanding pads to sand in the same direction as the brushed finish, then blend the finish by feathering in the surrounding area. This refinishing procedure has been approved by the manufacturer and will not harm the finish. Please note: ANTIQUE COPPER IS THE ONLY FINISH THAT CAN BE SANDED, DO NOT SAND PEWTER, GOLD OR NICKEL FINISHES.

## GLASS DOOR REMOVAL:

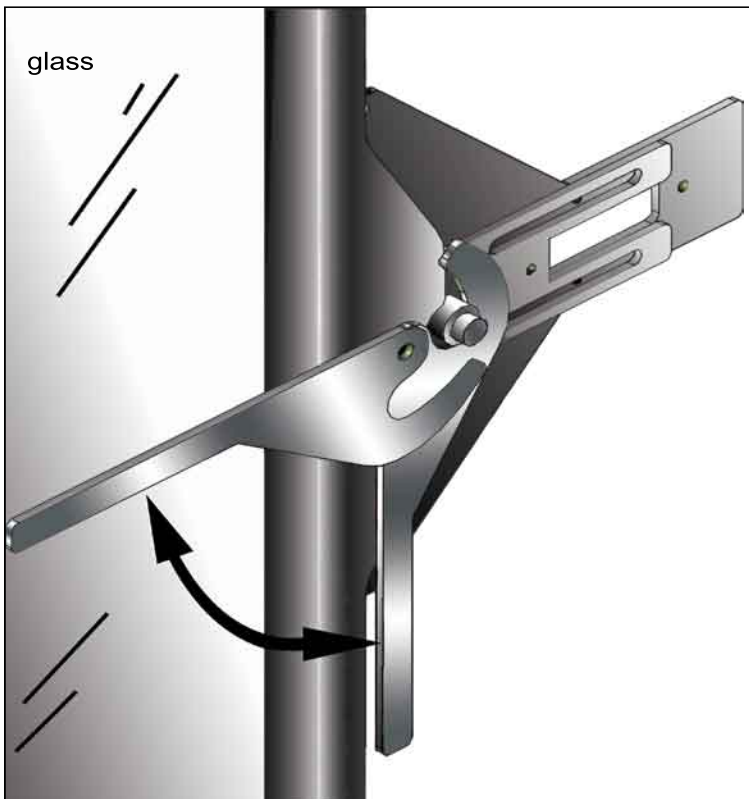


Figure 8. Glass Removal Handle

In order to install the log set, and for regular cleaning, the glass door will need to be removed. With the face off, there are two (2) handles on either side of the glass. They rotate 90° until parallel with the floor (see Figure 8). The top of the glass will move away from the firebox and then the glass door can be lifted off the resting points.

To replace the glass door, simply reverse the above procedure.

**Warning:** Do not touch or attempt to remove the glass if the fireplace is not completely cold.

**WARNING:** Never operate the fireplace with the glass removed.

# MAINTENANCE AND SERVICE

## TO BE INSTALLED BY A QUALIFIED SERVICE AGENCY ONLY FUEL CONVERSION:

**Warning:** This conversion kit shall be installed by a qualified service agency in accordance with the manufacturer's instructions and all applicable codes and requirements of the authority having jurisdiction. If the information in these instructions is not followed exactly, a fire, explosion or production of carbon monoxide may result causing property damage, personal injury or loss of life. The qualified service agency is responsible for the proper installation of this kit. The installation is not proper or complete until the operation of the converted appliance is checked as specified in the manufacturer's instructions supplied with the kit.

Please read and follow these instructions. Also, please read the instruction guidelines provided by S.I.T. on how to remove and install the HI/LO regulator.

- Step 1.** Carefully inspect all parts supplied with this conversion kit.
- Step 2.** Shut the gas supply off at the shut-off valve. (CAUTION: The gas supply shall be shut off prior to disconnecting the electrical power, before proceeding with the conversion.)
- Step 3.** Remove the glass as shown in the Secondary Installation section.
- Step 4.** Change the regulator on the front of the gas valve (follow the instructions provided by S.I.T.).
- Step 5.** To change the pilot, simply pull the pilot hood straight up to access the pilot injector. Using a  $\frac{5}{32}$  inch Allen key, remove the pilot injector.
- Step 6.** Install the new pilot injector supplied with this conversion kit. Simply screw the new injector inside the pilot hood and reinstall the hood by placing the hood on the assembly, line up the key way, and snap into place.
- Step 7.** Remove the main burner orifice with a  $\frac{1}{2}$  inch deep socket.
- Step 8.** Install the new orifice supplied. Be sure to put a bead of pipe-thread sealant or approved Teflon tape on the orifice before installing into the burner assembly.
- Step 9.** Reinstall the burner tray, log set, embers, and glass. When re-installing the burner, ensure that the burner to pilot hood relationship is as shown on Figure 9.
- Step 10.** Open the shut-off valve at the gas line to the unit.
- Step 11.** Use a small brush to apply a warm soapy water solution to all gas connections (use a half dish soap and half warm water). If a gas leak is present, bubbling will occur. Gas leaks can be repaired by using an approved pipe thread sealant or approved Teflon tape. NEVER USE A NAKED FLAME WHEN TESTING FOR LEAKS.
- Step 12.** Re-light the fireplace to ensure proper operation and proper flame appearance.
- Step 13.** MAKE SURE that the sticker provided by S.I.T. is installed, to signify that the valve has been converted to a different fuel type. Also, make sure that the rating plate has a conversion label to show this unit has been converted to a different fuel type.



**Figure 9. Ignitor assembly beside the burner.**

A VISUAL CHECK OF THE REGULATOR KNOB IS NECESSARY TO DETERMINE WHETHER OR NOT THE REGULATOR IS THE CORRECT PART. A 50% TURN DOWN REGULATOR WILL HAVE ONLY ONE CORNER ON THE KNOB

Conversion Kit should contain the following:

- |  |                      |                          |
|--|----------------------|--------------------------|
| (1) 50% turn down HI/LO regulator with three | (3) T-20 Torx screws |                          |
| (1) Pilot injecto                            | (1) Main Orifice     | (NG #30 DMS; LP #47 DMS) |
| Conversion instructions                      | Pilot Orifice        | (NG 3.26 mm; LP 1.99 mm) |
| Labels to show conversion                    |                      |                          |

# INITIAL INSTALLATION

## QUALIFIED INSTALLERS ONLY

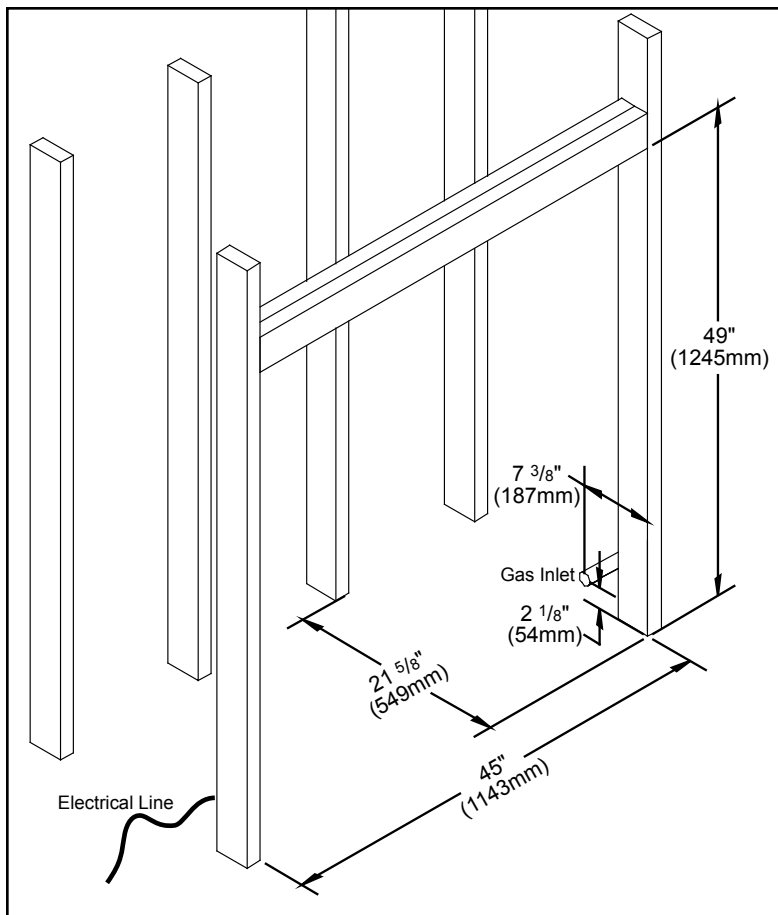
### INTRODUCTION:

This section of the owner's manual is for the use of qualified technicians only. Fireplace placement, hearths, facings, mantles, and venting terminations will be covered, as well as the gas and electric systems. There are several installation safety guidelines that must be adhered to. Please carefully read the safety precautions at the front of this manual.

**Warning:** Clearances must be sufficient to allow access for maintenance and service.

### PLACEMENT:

The location for the fireplace can be along a wall, raised or at floor level, or in a corner. There are specific framing measurements for each situation. The basic opening should have the dimensions shown below in Figure 10.



**Figure 10. Dimensions for Framing the Firebox.**

The fireplace must have a strong and level surface to be placed on. The surface should be made of wood or a non-combustible material, not carpet.

The 21 $\frac{5}{8}$  inches (549 mm) dimension takes into account the 1 inch (25 mm) standoff on the back of the firebox. The framing boards may touch the standoffs, but **no insulating material can be placed between the frame and the standoffs.**

The gas line,  $\frac{3}{8}$ " NPT, should be brought to the right side of the fireplace. If this set up is inconvenient, the electrical wire and the gas line configuration can be reversed.

The location should be chosen so the fireplace will be at least 36 inches (914 mm) from drapes, doors and other combustibles. The fireplace opening should also be at least 7 inches (178 mm) from the nearest perpendicular wall (sidewall to the edge of the opening).

#### Firebox framing:

Depth - 21 $\frac{5}{8}$ " (549 mm)  
Width - 45" (1143 mm)  
Height - 49" (1245 mm)

#### Gas/Electrical Inlet:

Distance back - 7 $\frac{3}{8}$ " (187 mm)  
Distance up - 2 $\frac{1}{8}$ " (54 mm)

# INITIAL INSTALLATION

## QUALIFIED INSTALLERS ONLY

### CORNER INSTALLATION:

The dimensions for installing a fireplace in the corner of a room are given below in Figure 11.

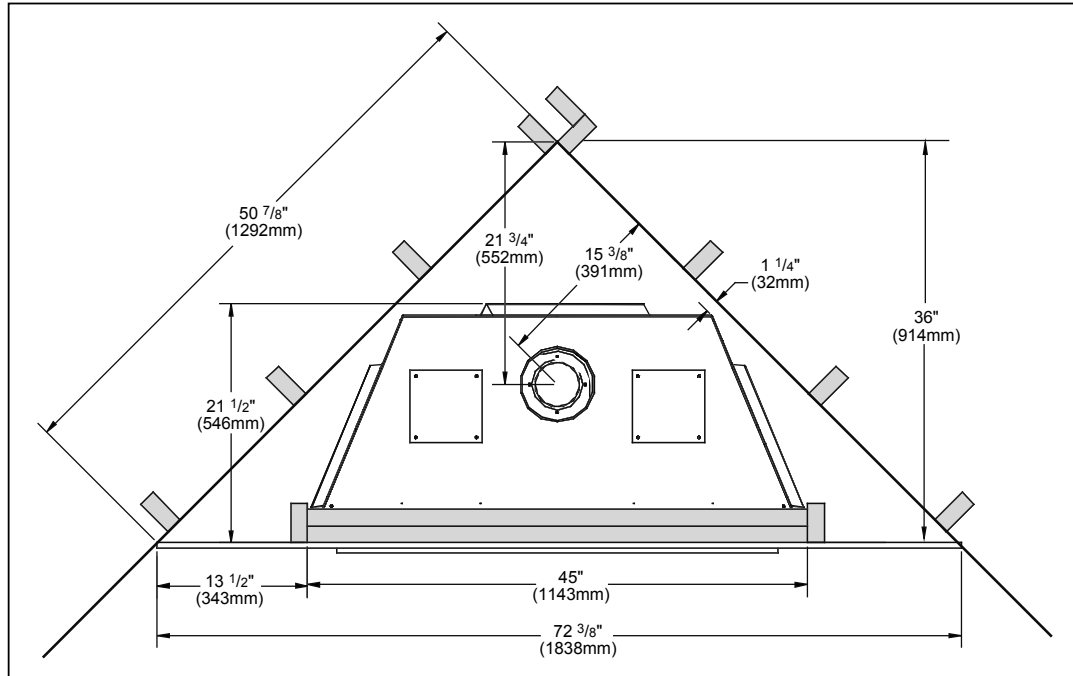


Figure 11. Dimensions for a corner installation.

### RAISED FIREPLACES AND HEARTHS:

There are a few options with raised fireplaces: raised with no hearth, raised with a raised hearth, or raised with a floor level hearth. If the fireplace is 4 inches (101 mm) or more above the floor, a hearth is not required. This measurement should be taken from the top of the flooring, i.e. the top of the carpet. The fireplace cannot be placed within 37 inches (940 mm) of the ceiling. When installing a raised fireplace, it is imperative that the support stand is strong enough to hold the weight of the fireplace and venting.

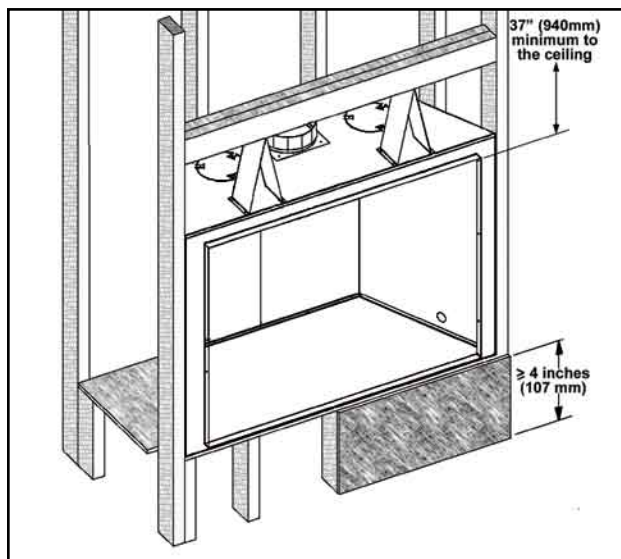


Figure 12. Raised Fireplace with no Hearth

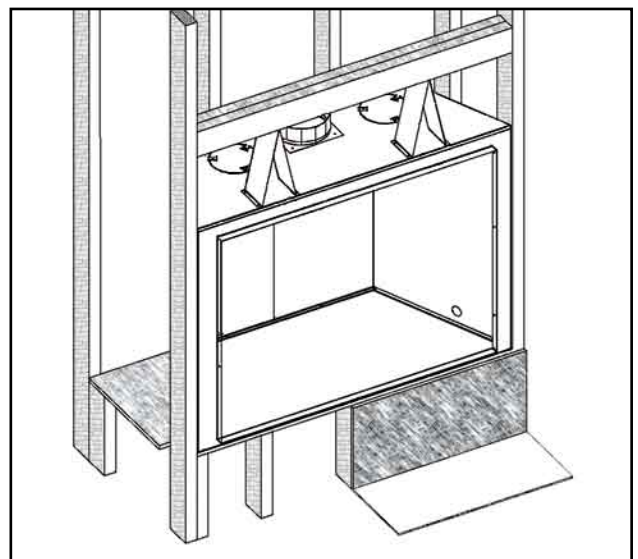


Figure 13. Raised Fireplace with Floor Level Hearth

# INITIAL INSTALLATION

## QUALIFIED INSTALLERS ONLY

If the unit is raised 4" (102mm) or less it is mandatory to have a hearth installed with a protector pad (sheet metal) placed directly on the floor or hearth framing, with the cement board (see specs below) on top of it. Tile, or another non-combustible material forms the top layer of the hearth. A decorative trim may be added to the edge of the hearth. The trim can be combustible as long as the hearth extends at least **16" (406 mm)** in front of the fireplace and **1" (25 mm)** on either side of the fireplace opening (see Figure 15). To install the face, it is necessary for the bottom flange of the fireplace opening to overlap or be flush with the tile. If the total thickness of the protector pad, cement board, and finished tile is more than 1½" (38 mm) the fireplace must be raised to accommodate additional thickness.

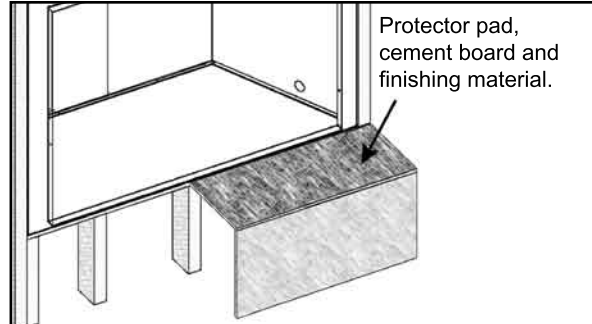


Figure 14. Raised Fireplace with Raised Hearth

### FIREPLACE SURROUND:

**NOTE:** Any paint that is applied to the mantel or facing above the unit should be "heat resistance" or it may discolour.

**CEMENT BOARD:** The cement board can be fastened to the front of the unit with self-drilling metal screws. It is safe to screw to the outer border of the fireplace. Cement board for the hearth can be purchased at a local building material store. The board must have a k-value of 7.69 Btu/(ft<sup>2</sup> × h × °F) [13 W/m × K] and a R-value of 0.13 ft<sup>2</sup> × h × °F/Btu [0.023 m<sup>2</sup> × K/W] or better.

**TILED FINISH:** Because of the amount of heat exuded by the fireplace, drywall cannot come directly up to the fireplace. Figure 15 shows the minimum dimensions for the cement board. Tile or other non-combustible materials cover the cement board, but do not overlap into the fireplace opening. The total depth of the cement board and the finishing materials should be a minimum of 1" (25 mm) to maximum of 1¾" (35 mm). The fireplace front will be installed over top of the finishing material.

**SMOOTH FINISH:** The fireplace will have to be recessed by ½" (12 mm) and two (2) layers of cement board must be used if the area around the fireplace will be finished flush with the rest of the wall.

**ROCK OR BRICK FINISH:** If the face of the fireplace is to be recessed, the face option chosen will determine the size and shape of the surrounding material (i.e. brickwork). Since the dimensions provided on the face option instruction sheet are only approximations, it is recommended that the steel template of the chosen face is used. See PARTS LIST - OPTIONS for the face template part number.

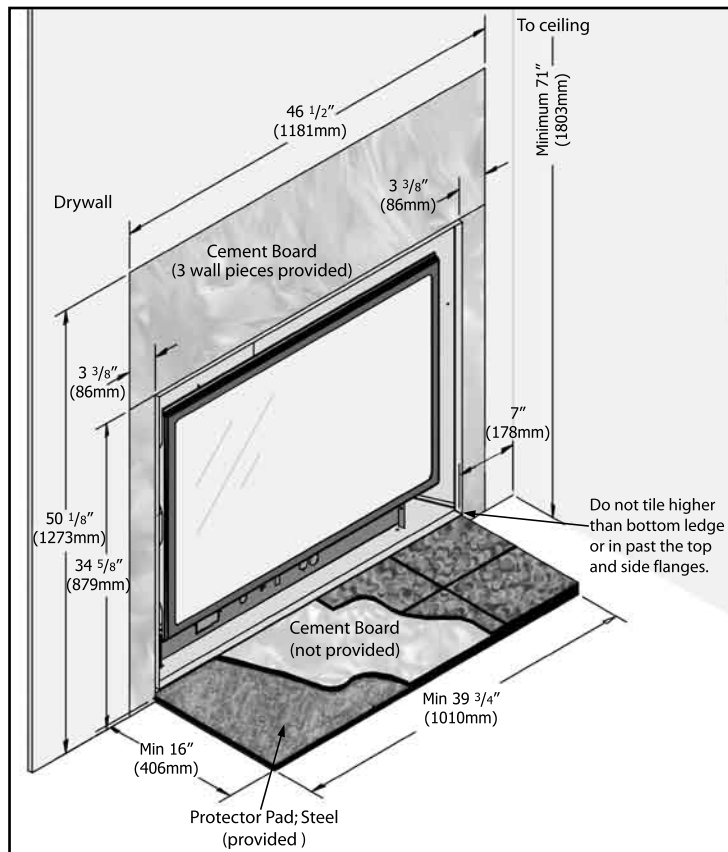


Figure 15. Floor Level Hearth Requirements With Dimensions Around Opening.

# INITIAL INSTALLATION

## QUALIFIED INSTALLERS ONLY

### MANTLE CLEARANCES:

It is not necessary to install a mantle, but if one is desired it is important to follow the guidelines shown in Figure 16.

Top of unit to horizontal framing:  
12 5/16" (313 mm)

Top of flange to top of cement board:  
15 1/2" (394 mm)

Top of flange to bottom of 3 1/2" mantle:  
24 1/2" (622 mm)

Top of flange to bottom of 8" mantle:  
27 1/2" (699 mm)

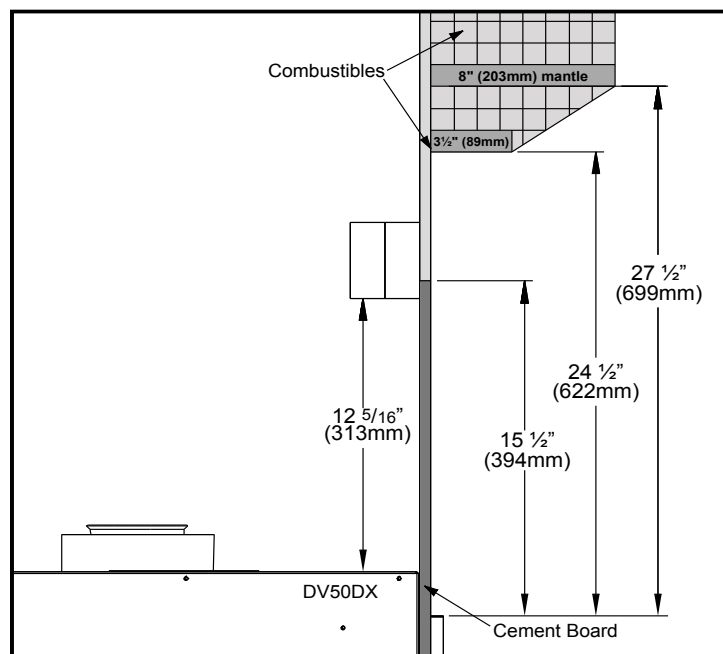


Figure 16. Combustible Mantle Clearances.

### VENT PARTS AND TERMINAL CLEARANCES:

Table 1: Vent part numbers.

Simpson Duravent (SD), Selkirk (SEL), and Security Chimneys (SC), must state if galvanized or black wanted, PART NUMBERS:

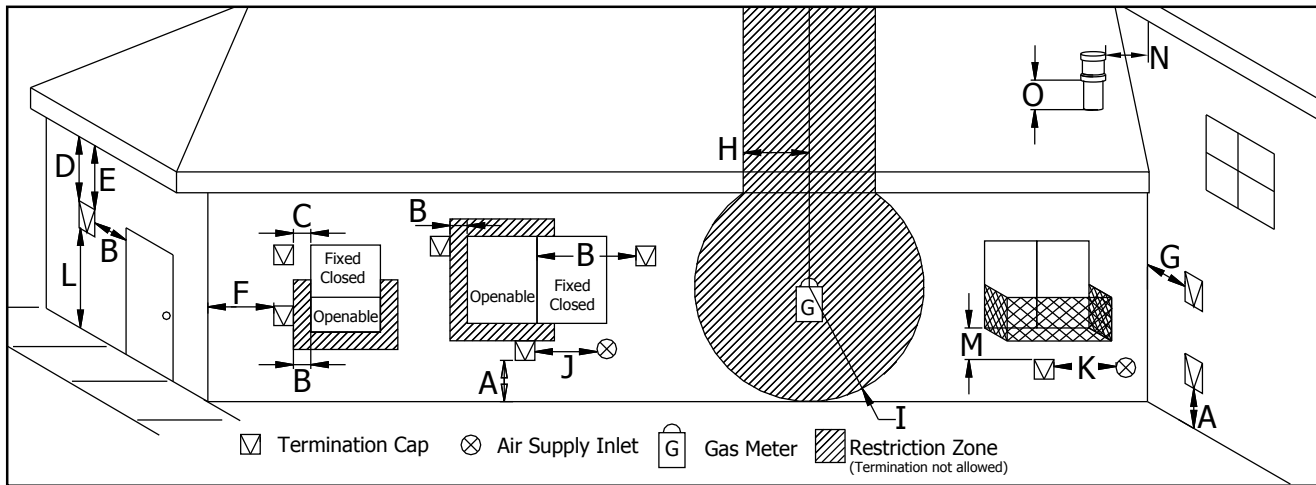
SD	SEL	SC	Description	SD	SEL	SC	Description
908	4DT-6	SV4L6	6" pipe length	911	<del>4DT-AJ</del>	<del>SV4LA12</del>	11" to 14 5/8" pipe, adjustable
907	4DT-9	<del>SV4L9</del>	9" pipe length	<del>911</del>	4DT-AJ	<del>SV4LA12</del>	4" to 10" pipe, adjustable
906	4DT-12	SV4L12	12" pipe length	<del>911</del>	<del>4DT-AJ</del>	SV4LA12	1 1/2" to 12" pipe, adjustable
904	4DT-24	SV4L24	24" pipe length	943	4DT-AF6	<del>SV4FA</del>	Flashing, 0/12 to 6/12 roof pitch
903	4DT-36	SV4L36	36" pipe length	943S	4DT-AF12	<del>SV4FA</del>	Flashing, 7/12 to 12/12 roof pitch
902	4DT-48	SV4L48	48" pipe length	<del>943</del>	<del>4DT-AF12</del>	SV4FA	Flashing, 1/12 to 7/12 roof pitch
945	4DT-EL45	SV4EBR45	45° elbow, black	<del>943</del>	<del>4DT-AF12</del>	SV4FB	Flashing, 8/12 to 12/12 roof pitch
990	4DT-EL90	SV4EBR90	90° elbow, black	943F	<del>4DT-AF12</del>	SV4F	Flat flashing
950	4DT-VS	SV4VS	Vinyl siding standoff/sheild	980	4DT-VC	SV4CGV	Vertical termination
942	4DT-WT	SV4RSN	Wall thimble	991	4DT-HVC	<del>SV4CHC</del>	High wind vertical termination
953	4DT-SC	SV4FC	Storm collar	984	4DT-HC	SV4CHC	Horizontal square termination
963	4DT-FS	SV4BF	Fire stop	985	4DT-HHC	<del>SV4CHC</del>	High wind horizontal termination
988	4DT-WS/B	SV4BM	Wall strap/support/band	978	4DT-VKC	SV0FAK	Vertical termination kit
970	4DT-HKA	SV0SHK	Horizontal termination kit (SD: Basic Kit, SEL: Kit A, SC: Standard Kit)	971	4DT-HKB	SV0SHK2	Horizontal termination kit (SD: Kit A, SEL: Kit B, SC: Kit)

The Sherwood Home Collection of fireplaces have been tested and certified for use with SIMPSON DURAVENT TYPE GS PIPE FOR GAS STOVES. SECURITY CHIMNEY'S "SECURE VENT DIRECT VENT SYSTEM" and SELKIRK "METALBESTOS MDV VENT SYSTEM" kits are available for horizontal venting. When using Simpson Duravent, it is recommended that, before installation, a bead of RTV High Temperature Silicone should be applied to each outer vent joint, and Mil-Pac to each inner joint. When planning an installation, it will be necessary to select the proper length of vent pipe for the particular requirements.

# INITIAL INSTALLATION

## QUALIFIED INSTALLERS ONLY

### VENT TERMINATION RESTRICTIONS:



**Figure 17. Vent Termination Restrictions, refer to Table 2.**

**Table 2: Vent termination clearances, refer to Figure 17.**

Letter	Canadian Installation <sup>1</sup>	US Installation <sup>2</sup>	Description
A	12 in (30 cm)		Clearance above grade, verandah, porch, deck, or balcony.
B	12 in (30 cm)	9 in (23 cm)	Clearance from window or door that may be opened.
C	12 in (30 cm)*		Clearance from permanently closed window (to prevent condensation).
D	24 in (60 cm)*		Vertical clearance to ventilated soffit located above the terminal, within a horizontal distance of 2 ft (60 cm) from center line of terminal.
E	18 in (45 cm)*		Clearance to unventilated soffit.
F	12 in (30 cm)*		Clearance to outside corner.
G	12 in (30 cm)*		Clearance to inside corner.
H	3 ft (91 cm) within a height of 15 ft (4.5 m) above the meter/regulator assembly	3 ft (91 cm) within a height of 15 ft (4.5 m) above the meter/regulator assembly*	Clearance to each side of center line extended above meter/regulator assembly.
I	3 ft (91 cm)	3 ft (91 cm)*	Radial clearance around service regulator vent outlet.
J	12 in (30 cm)	9 in (23 cm)	Clearance to non-mechanical air supply inlet to building, or the combustion air inlet to any other appliance.
K	6 ft (1.83 m)	3 ft (91 cm) above if within 10 ft (3 m) horizontally	Clearance to mechanical air supply inlet.
L	7 ft (2.13 m) <sup>t</sup>	7 ft (2.13 m) <sup>*t</sup>	Clearance above paved sidewalk or paved driveway located on public property.
M	12 in / 30 cm <sup>+</sup>	12 in / 30 cm <sup>*+</sup>	Clearance under verandah, porch, deck, or balcony.
N	12 in (30 cm)*		Clearance horizontally to any surface (such as an exterior wall) for vertical terminations.
O	12 in (30 cm)		Clearance above roof line for vertical terminations.

<sup>1</sup> In accordance with the current CSA B149, Natural Gas and Propane Installation Code.

<sup>2</sup> In accordance with the current ANSI Z223.1 NFPA 54, National Fuel Gas Code.

\* These numbers are only estimates. Clearance in accordance with installation codes and the requirements of the gas supplier.

<sup>t</sup> A vent shall not terminate directly above a side walk or paved driveway that is located between two single family dwellings and it serves both dwellings.

<sup>+</sup> Permitted only if verandah, porch, deck, or balcony is fully open on a minimum of two sides beneath the floor.

**NOTE: Venting terminals shall not be recessed into walls or siding.**



# INITIAL INSTALLATION

## QUALIFIED INSTALLERS ONLY

### VENTING:

This fireplace has been tested and certified for use with SIMPSON DURAVENT DIRECT VENT TYPE "GS" PIPE FOR GAS STOVES, SECURITY CHIMNEY'S SECURE VENT DIRECT VENT SYSTEM kits, and MDV SELKIRK METALBESTOS.

A 1" (25 mm) clearance to combustibles must be maintained around any vertical vent pipe. Around a horizontal vent pipe, the clearance to combustibles should be 2" (51 mm) above and 1½" (38 mm) on the sides and bottom. When combustible materials are directly above a 90° elbow, 5" (127 mm) of clearance are necessary. See Figure 18

A 10" (254 mm) x 10" (254 mm) frame (see Figure 19) will assure the proper support and spacing for the vent pipe as it passes through the wall. Installations in Canada require that a wall thimble be used for passing through walls and ceilings. All sealing and vapour barriers must comply with local building codes.

When planning an installation, it is necessary to select the proper length of vent pipe for the particular requirements. The configuration of the venting pipes depends on the locations of walls, ceilings and studs. However, the pipes cannot be of arbitrary length and arrangement. Because the length of the vertical and horizontal sections dramatically affects the burning efficiency of the fireplace, certain guidelines have been set in INITIAL INSTALLATION - VENT CONFIGURATIONS AND RESTRICTOR SETTINGS.

Venting terminals can not be recessed into a wall or siding.

**WARNING: This gas appliance must not be connected to a chimney flue serving a separate solid-burning appliances.**

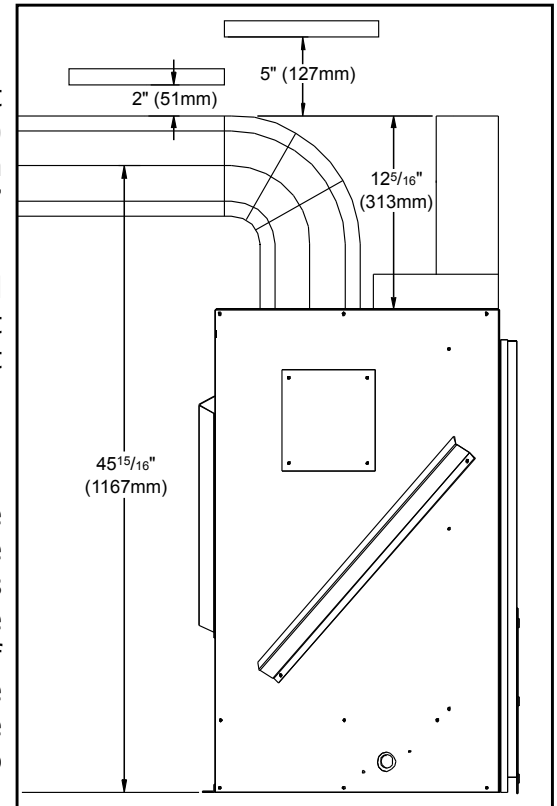


Figure 18. Vent Pipe Clearances.

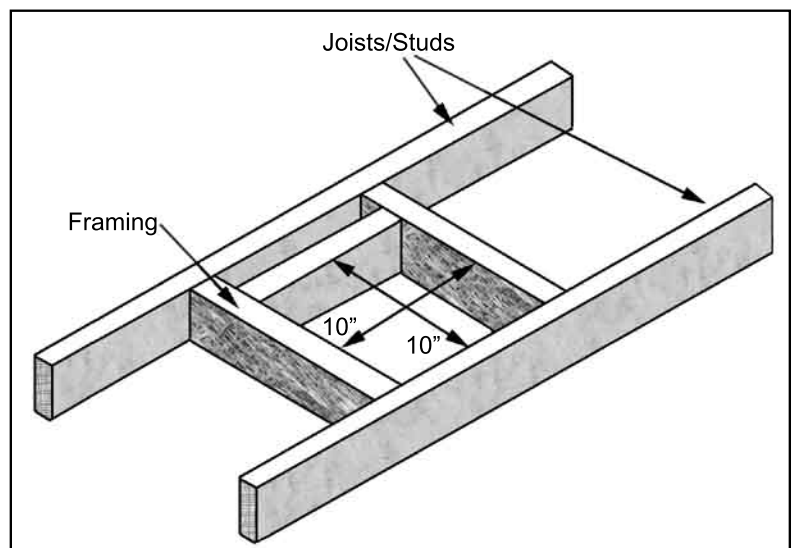


Figure 19. Vent Framing Through Wall/Ceiling

# INITIAL INSTALLATION

## QUALIFIED INSTALLERS ONLY

### VENT CONFIGURATIONS AND RESTRICTOR SETTINGS:

Figure 20 shows the range of venting options, it shows possible vent configurations if the unit is top vented, for vertical and horizontal terminations, any layout that remains within the shaded area is acceptable. Having the fewest number of elbows is ideal, as they tend to disrupt air movement. Using 45° elbows is preferable to using 90° elbows. Also, a shorter vent system will perform better than a longer one.

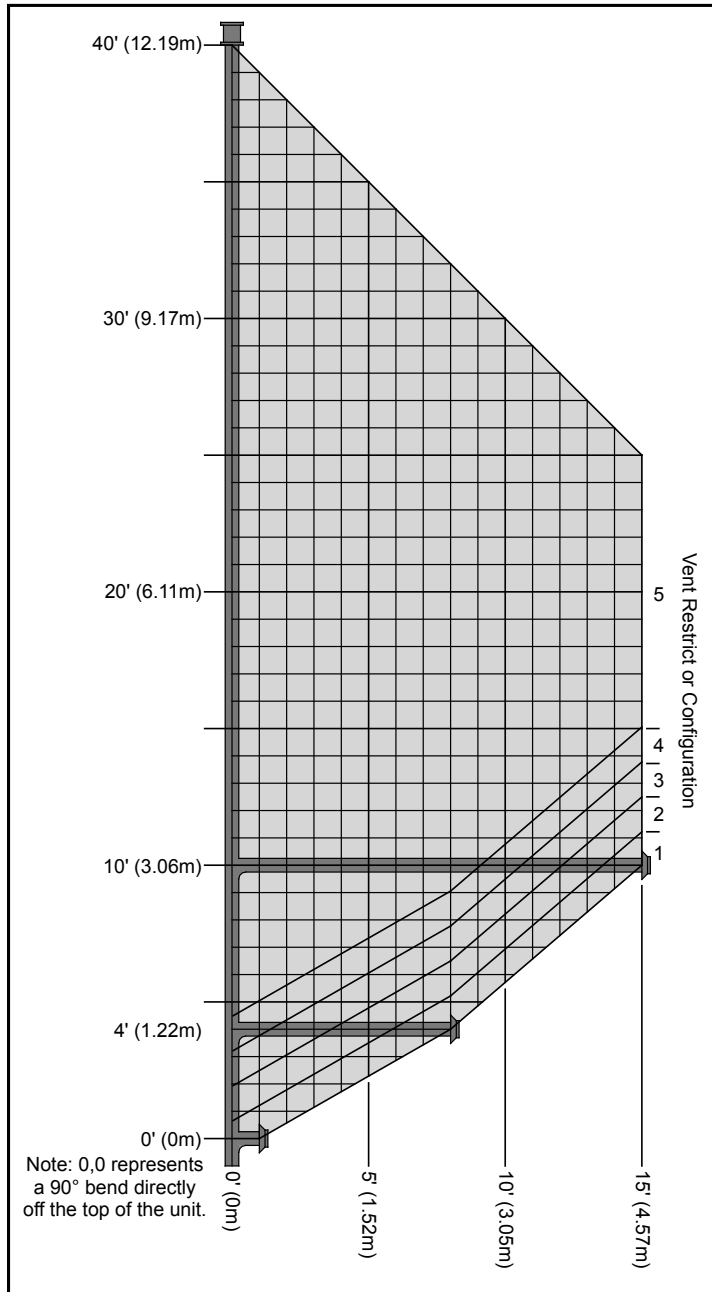


Figure 20. Possible Vent Configurations

The vent restrictor controls the amount of air moving through the vent pipe. Longer vertical vent lengths necessitate greater restriction; position 1 is open and position 5 is maximum restriction. Figure 20 shows the vent restrictor settings required, relative to the length of vent pipe. The vent restrictor is located on the right side of the fireplace, above the glass. Figure 21 shows the vent restrictor handle and the holes that indicate the different levels. To avoid injury, it is best to make this adjustment when the fireplace is cool or use welder's gloves or oven mitts.

**Note:** 0,0 in Figure 20 represents a 90° bend directly off the outlet of the unit, 46" (1169 mm) from floor. This is for all horizontal instances **except** when using Selkirk and having less than a 4 feet (1.22 m) rise and 8 feet (2.44 m) horizontal offset. In this case, a 1 foot rise must be added below the 90° bend.

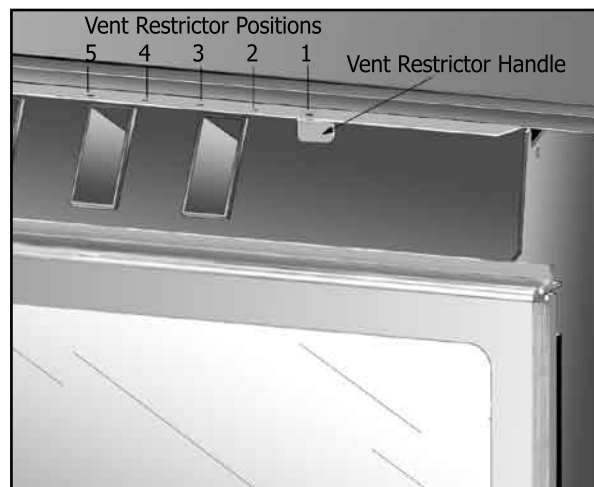


Figure 21. Possible Vent Restrictor Positions

# INITIAL INSTALLATION

## QUALIFIED INSTALLERS ONLY

### HORIZONTAL TERMINATION:

#### NOTES:

**1. Horizontal pipes must not be level. For every 12 inches (305 mm) of horizontal travel (away from the stove), there should be at least ¼ inch (6.4 mm) of vertical travel. Never allow the vent to run downward, as this could cause high temperatures or even present the possibility of a fire.**

2. The exterior of the horizontal vent termination must not be blocked or obstructed.

3. If the vent termination is not being attached to wood, the four wood screws provided should be replaced with material appropriate fasteners.

4. For buildings with vinyl siding, a vinyl standoff should be installed between the vent cap and the exterior wall. Attach the vinyl siding standoff to the horizontal termination. Note that the termination bolts onto the flat portion of the standoff, providing an air space between the wall and the vent termination. The air gap prevents excessive heat from possibly melting the vinyl siding.

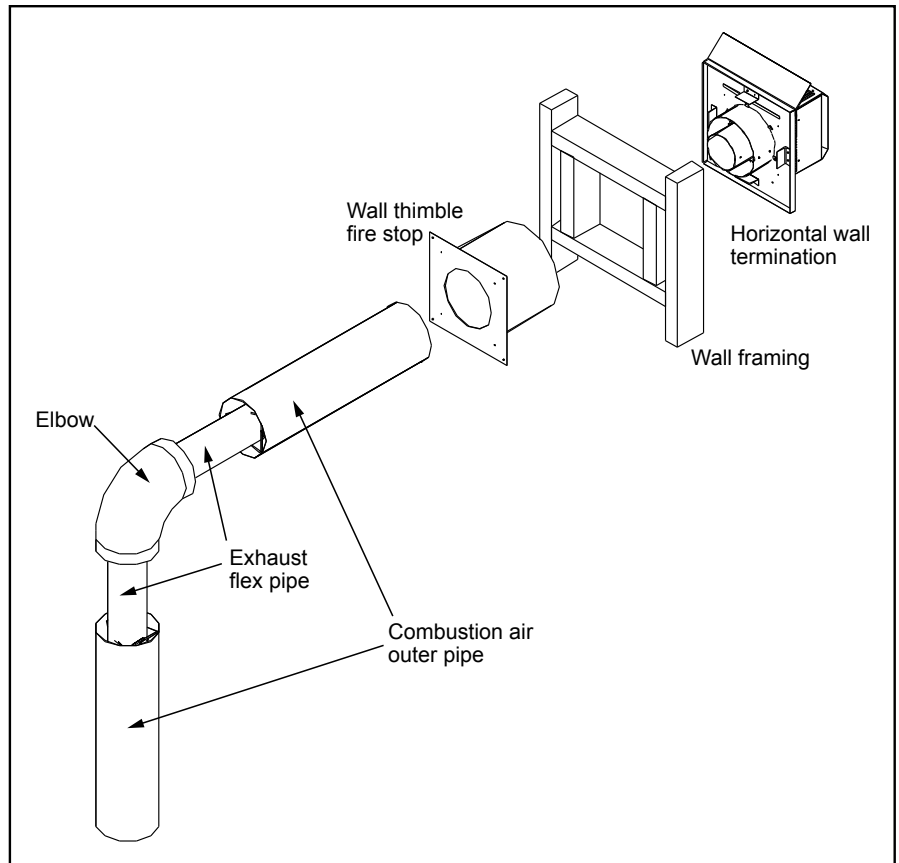
5. Horizontal pipes must be supported every 3 feet (914 mm). Plumber's all round strap will suffice.

6. When running horizontal pipe, clearances to combustibles must be maintained 1½ inches (38 mm) sides, 1½ inches (38 mm) bottom, and 2 inches (51 mm) top.

**Step 1.** Set the fireplace in the desired location. Check to determine if wall studs will be in the way when the venting system is attached. If this is the case, the location of the fireplace may have to be adjusted or the venting may have to be offset.

**Step 2.** Direct vent pipe sections are designed with special twist-lock connections. Dry fit the desired combination of pipe and elbows to the appliance adaptor.

**Step 3.** With the pipe in the correct position and attached to the fireplace, mark the wall for a 10 inches (25.4 cm) x 10 inches (25.4 cm) square hole (see Figure 19). The center of the hole should match the center line of the horizontal pipe. Cut and frame the hole in the exterior wall where the vent will be terminated. If the wall being penetrated is made of a non-combustible material (i.e. masonry or concrete) a 7 inches (17.8 cm) hole is acceptable.



**Figure 22. Horizontal Vent Termination**

# INITIAL INSTALLATION

## QUALIFIED INSTALLERS ONLY

**NOTE:** For Simpson Duravent only, place a bead of Mil-Pac or Rutland No 78 Stove and Gasket Cement on the outer edge of the inner exhaust pipe (non-flared end). Push the pipe sections together, then twist about ¼ turn, making sure the two sections are fully locked. Wrap all seams with foil ducting tape.

**Step 4.** With the hole now framed, the wall thimble installed, and the pipe extending into the wall, proceed to the outside. Attach the termination to the pipe using RTV and Mil-Pac or Rutland No 78 Stove and Gasket Cement to seal joints. The vent pipe must extend into the vent cap at least 1¼ inches (3.2 cm). Secure the connection between the vent cap and the pipe by attaching the two (2) sheet metal straps, which extend from the vent cap assembly to the outer wall of the vent pipe. Bend any remaining portion of the strap back towards the vent cap. Security Secure Vent uses a twist lock cap.

**Step 5.** Position the horizontal vent termination in the center of the 10 inches (25.4 cm) square hole and attach to the exterior wall with the four screws provided. The arrow on the vent termination should be pointing up. Run a bead of non-hardening mastic around the edges of the vent cap, to make a seal with the wall. Ensure the proper clearances to combustibles have been maintained.

## VERTICAL TERMINATION:

**Step 1.** Check the instructions for required clearances (air spaces) to combustibles when passing through ceilings, walls, roofs, enclosures, attic rafters, or other nearby combustible surfaces. Do not pack air spaces with insulation.

**Step 2.** Set the gas appliance in the desired location. Drop a plumb bob down from the ceiling to the position of the appliance flue exit, and mark the location where the vent will penetrate the ceiling. Drill a small hole at this point. Next, drop a plumb bob from the roof to the hole previously drilled in the ceiling, mark the spot where the vent will penetrate the roof. Determine if ceiling joists, roof rafters, or other framing will obstruct the venting system. You may wish to relocate the appliance, or to offset, to avoid cutting load bearing members.

**Step 3.** To install the Round Support Box/Wall Thimble in a flat ceiling, cut a 10 inch (25.4 cm) square hole in the ceiling, centered in the hole drilled in Step 2. Frame the hole as shown in Figure 19.

**Step 4.** Assemble the desired lengths of black pipe and elbows necessary to reach from the appliance adapter up through the Round Support Box. Insure that all pipe and elbow connections are in their fully twist-locked position.

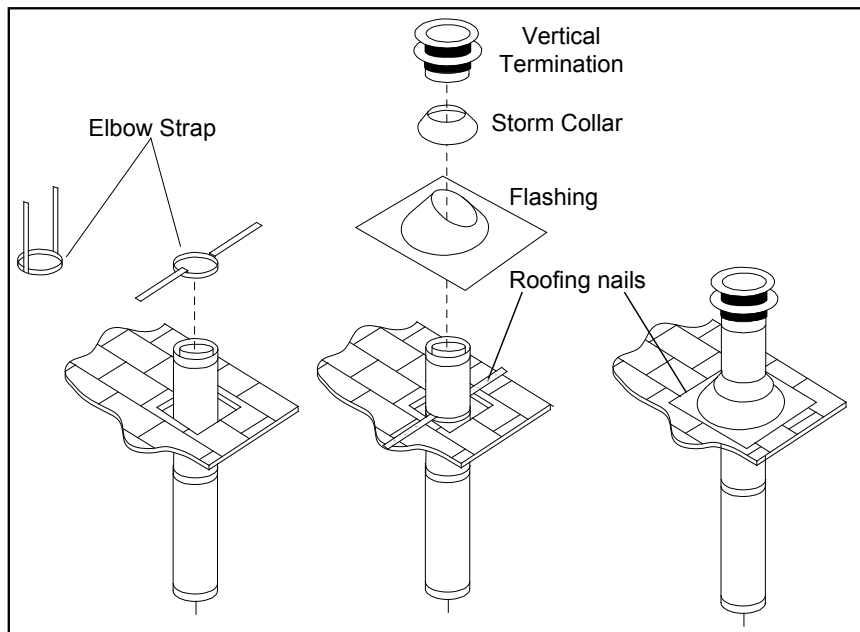
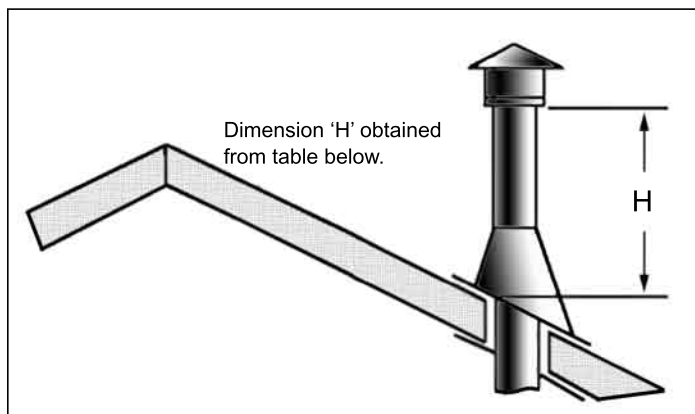


Figure 23. Vertical Vent Termination

# INITIAL INSTALLATION

## QUALIFIED INSTALLERS ONLY

- STEP 5.** Cut hole in the roof centered on the small hole placed in the roof from Step 2. The hole should be of sufficient size to meet minimum requirements for Clearance to Combustibles, as specified. Continue to assemble lengths of pipe and elbows necessary to reach from the ceiling support box up through the roof line. Galvanized pipe and elbows may be utilized in the attic, as well as above the roof line. The galvanized finish is desirable above the roof line, due to the higher corrosion resistance.
- STEP 6.** Once the pipe sections have been joined, and run up through the hole in the roof, slip an elbow strap over the exposed sections, bend the support straps outwards, and push the elbow strap down to the roof level, as shown in Figure 23. Tighten the clamp around the pipe section. Use a level to make sure the pipe is truly vertical. With roofing nails, secure the support straps to the roof. Seal the nails holes heads with non-hardening mastic. Trim the excess length of the support straps that extend out beyond the edge of the flashing.
- STEP 7.** Slip the flashing over the pipe section protruding through the roof. Secure the base of the flashing to the roof with roofing nails. Use a non-hardening sealant between the uphill edge of the flashing and the roof. Insure the roofing material overlaps the top edge of the flashing. Verify that you have at least the minimum clearance to combustibles at the roof line.
- STEP 8.** Continue to add pipe sections until the height of the vent cap meets the minimum code requirements. Refer to Figure 24 and Table 3. Note that for steep roof pitches, the vent height must be increased. In high wind conditions, nearby trees, adjoining roof lines, steep pitched roofs, and other similar factors can result in poor draft, or down drafting. In these cases, increasing the vent height may solve the problem.
- STEP 9.** Slip the storm collar over the pipe, and push it down to the top of the roof flashing as shown in Figure 23. Use the non-hardening sealant around the joint between the pipe and the storm collar.
- STEP 10.** Twist-lock the vent cap.



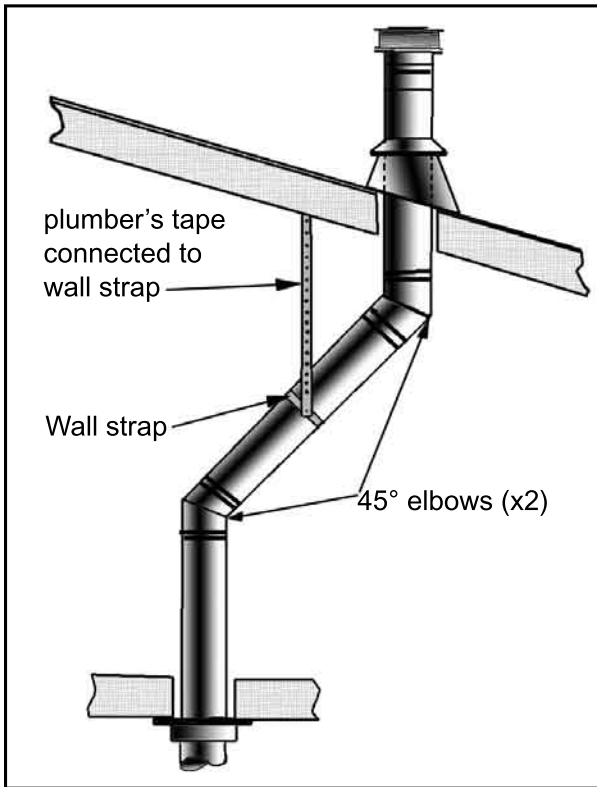
**Figure 24: Height of Vertical Termination;  
Reference Table 3.**

**Table 3: Minimum 'H' for Figure 24**

Roof Pitch	Minimum Height (H)	
	Feet	Meters
Flat to 7/8	1	0.3
Over 7/12 to 8/12	1.5	0.46
Over 8/12 to 9/12	2	0.61
Over 9/12 to 10/12	2.5	0.76
Over 10/12 to 11/12	3.25	0.99
Over 11/12 to 12/12	4	1.22
Over 12/12 to 14/12	5	1.52
Over 14/12 to 16/12	6	1.83
Over 16/12 to 18/12	7	2.13
Over 18/12 to 20/12	7.5	2.29
Over 20/12 to 21/12	8	2.44

# INITIAL INSTALLATION

## QUALIFIED INSTALLERS ONLY

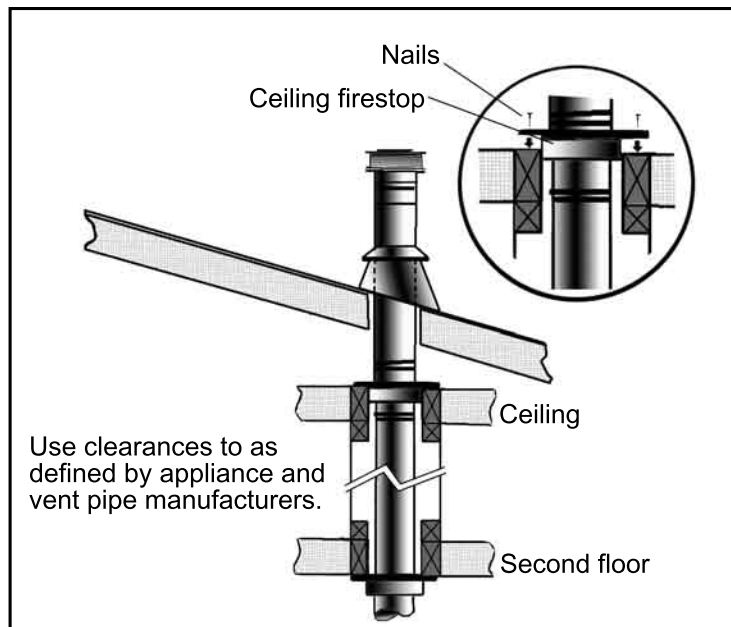


**Figure 25: Use of Wall Straps.**

### NOTES:

- (1) If an offset is necessary in the attic to avoid obstructions, it is important to support the vent pipe every 3 feet (914 mm), to avoid excessive stress on the elbows, and possible separation. Wall straps are available for this purpose (see Figure 25).
- (2) When ever possible, use 45° degree elbows instead of 90° degree elbows. The 45° degree elbow offers less restriction to the flow of flue gases and intake air.
- (3) For multi story installations; a ceiling firestop is required at the second floor, and any subsequent floors (see Figure 26). The opening should be framed to 10" (254 mm) x 10" (254 mm) inside dimensions, in the same manner as shown in Figure 19.

- (4) Any occupied areas above the first floor, including closets and storage spaces, which the vertical vent passes through, must be enclosed. The enclosure may be framed and sheet-rocked with standard building materials. However consult the appliance manufactures installation instructions for the minimum allowable clearance between the outside of the vent pipe, and the combustibile surfaces of the enclosure. Do not fill any required air spaces with insulation.



**Figure 26: Multi-Story Vent Pipe Installation.**

# INITIAL INSTALLATION

## QUALIFIED INSTALLERS ONLY

### DUCTING:

The option of ducting allows heat from the fireplace to be transferred to a different area. The maximum total length for the ducting is 20 feet (6.1 m). There are four (4) duct outlets that can be used (see Figure 27), however, the blower puts out 200 cfm no matter how many ducts are used. Therefore, the more ducts there are, the less air goes through each one. A short, straight duct maximizes its heating ability as air in the ducts is restricted by the length and number of bends in the pipe.

For the **first 24 inches (610 mm) of ducting, ½ inch (13 mm) of clearance is required.** After 24 inches (610 mm), the duct can be run with 0 inch (0 mm) clearance, though ½ inch (13 mm) is preferred. To avoid heat loss, insulate the duct whenever it passes through an unheated area (i.e. crawl space). Insulating the ducts elsewhere helps the efficiency of the ducting system.

Standard galvanized ducting and heat registers are to be used. Simply remove the desired cover plate from the outside of the firebox and attach a 6 inches (152 mm) starter ring. Make sure to foil-tape all seams to prevent leaking. Ensure all ducting meets local building codes.

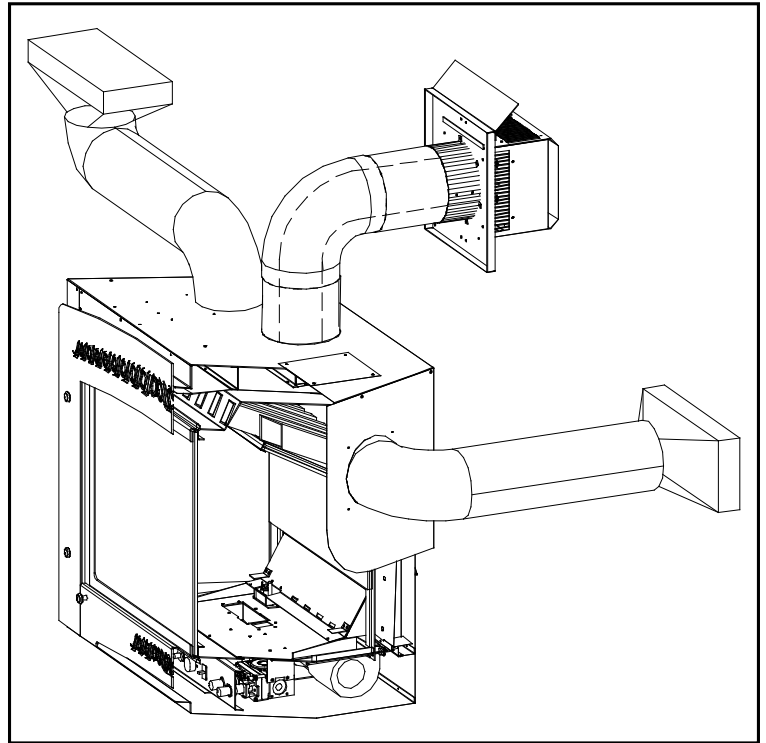


Figure 27. Heat Dumping Options.

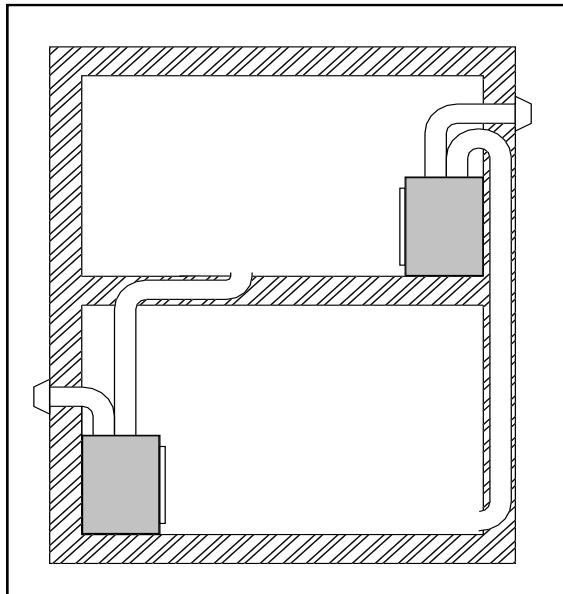


Figure 28. Ducting Options; ducted from upper floor to lower floor & from lower floor to upper floor.

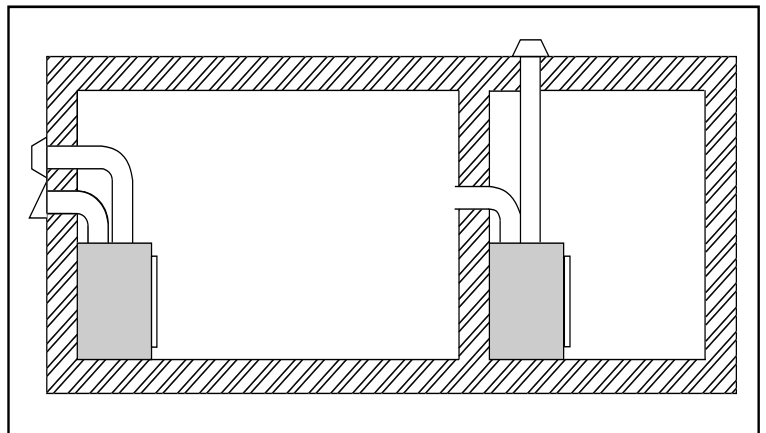


Figure 29. More Ducting Options; ducted to outside & to another room on an interior wall.

# INITIAL INSTALLATION

## QUALIFIED INSTALLERS ONLY

### ELECTRICAL REQUIREMENTS:

The fireplace must be electrically connected and grounded in accordance with local codes or, in the absence of local codes, with the current CSA C22.1 CANADIAN ELECTRICAL CODE Part 1, SAFETY STANDARDS FOR ELECTRICAL INSTALLATIONS, OR THE NATIONAL ELECTRICAL CODE ANSI / NFPA 70 in the US.

**WARNING:** The electrical grounding instructions must be followed. This appliance is equipped with a three-prong (grounding) plug for your protection against shock hazard, and should be plugged directly into a properly grounded three-prong outlet. **DO NOT** cut or remove the grounding prong from this plug.

**CAUTION:** Label all wires prior to disconnection when servicing controls. Wiring errors can cause improper and dangerous operation. Verify proper operation after servicing.

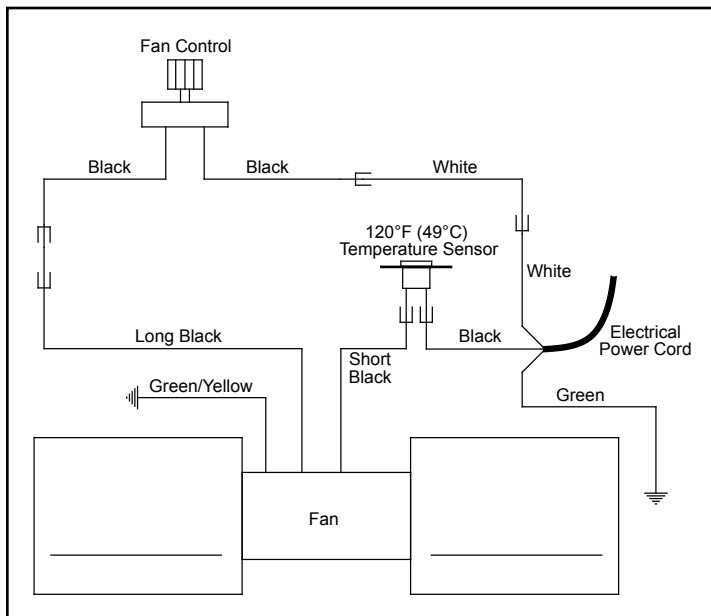


Figure 30. Wiring Diagram For Fan Control.

Table 4. Recommended Thermostat Wire Size.

Wire Size	Max. Length
14 gauge	100 ft (30.48 m)
16 gauge	60 ft (18.29 m)
18 gauge	40 ft (12.00 m)
20 gauge	25 ft (7.62 m)
22 gauge	18 ft (5.49 m)

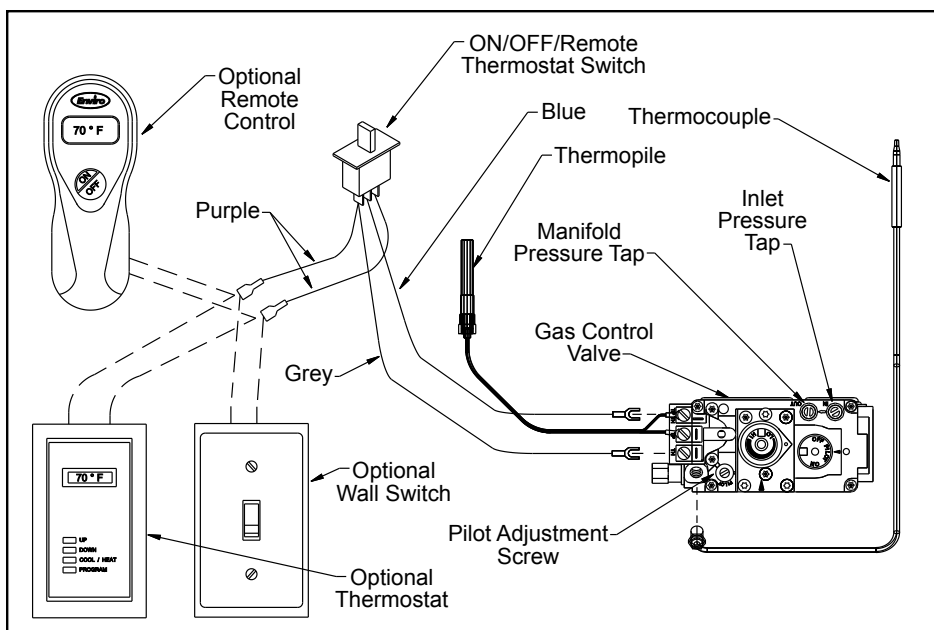


Figure 31. Wiring Diagram For Gas Valve.



# INITIAL INSTALLATION

## GAS LINE CONNECTION AND TESTING:

**WARNING:** Only persons licensed to work with gas piping may make the necessary gas connections to this appliance.

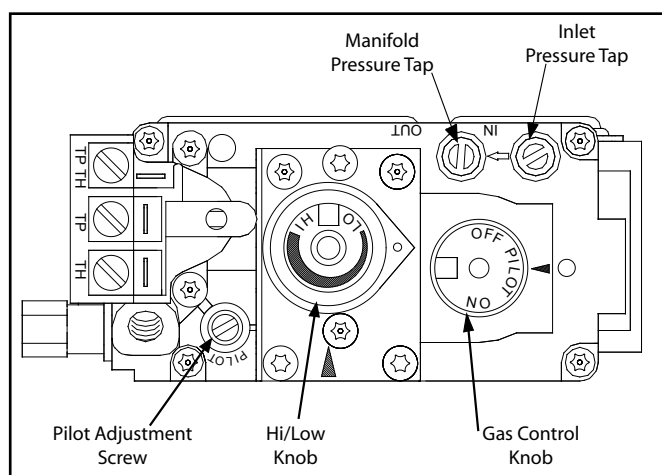
### GAS LINE CONNECTION

- This stove is equipped with a certified flexible pipe located on the right side of the unit terminating in a 3/8" male NPT fitting. Consult your local authorities codes or the CAN/CGA B 149 (1 or 2) installation code in Canada, or in the USA gas installations follow either local codes or the current edition of the National Fuel Gas Code ANSI Z223.1.
- The efficiency rating of this appliance is a product thermal efficiency rating determined under continuous operating conditions and was determined independently of any installed system.

The appliance and its shutoff valves must be disconnected from the gas supply piping system during any pressure testing where the pressure exceeds 1/2 PSIG (3.45 KPa) or damage will occur to the valve.

The appliance must be isolated from the gas supply piping system by closing its individual manual shutoff valve during any pressure testing of the gas supply piping system at test pressures equal to or less than 1/2 psig (3.45 KPa).

**Always check for gas leaks with a soap and water solution after completing the required pressure test.**



**Figure 32: Fully Labeled Gas Valve.**

### TO TEST VALVE PRESSURES

The pressure taps are located on the left side of the valve

- Turn set screw 1 turn counter clockwise to loosen,
- Place 5/16" (8 mm) I.D. hose over pressure tap system.
- Check pressures using a manometer.
- When finished, release pressure, remove hose & tighten set screw.

**Table 5: Pressure and BTU Information.**

	<b>Natural Gas</b>	<b>Propane</b>
<b>Orifice</b>	#30 DMS	#47 DMS
<b>Manifold Pressure</b>	3.8" W.C. (0.95 KPa)	11.0" W.C. (2.74 KPa)
<b>Min. Manifold Pressure</b>	1.1" W.C. (0.27 KPa)	2.7" W.C. (0.67 KPa)
<b>Max Supply Pressure</b>	7.0" W.C. (1.74 KPa)	13.0" W.C. (3.28 KPa)
<b>Min. Supply Pressure</b>	5.0" W.C. (1.25 KPa)	12.0" W.C. (2.98 KPa)
<b>Max BTU/hr Input</b>	50,000 BTU/hr (14.65 KW)	46,650 BTU/hr (13.67 KW)
<b>Min. BTU/hr Input</b>	27,000 BTU/hr (7.91 KW)	23,750 BTU/hr (6.96 KW)

**NEVER USE AN OPEN FLAME FOR LEAK TESTING.**

# SECONDARY INSTALLATION

## CERAMIC BRICK LINER REMOVAL:

### WARNING: DO NOT INSTALL LINER IF UNIT IS HOT.

1. Remove glass door (see MAINTENANCE AND SERVICE - GLASS DOOR REMOVAL)
2. Carefully remove the log set if it was installed.
3. Remove both side brick liners by sliding them out the front. Be careful not to scrape the liners on the baffle tabs at the top.
4. Hold the back of the top liner up while lifting the back liner off the air deflector ledge then out. Slide the top liner out from the lip on the baffle then remove it from the unit.
5. If the baffle needs to be removed use a T-20 screwdriver to loosen off but not remove the two (2) screws at the back of the baffle and remove the two (2) screws at the front of the baffle. Slide the baffle up over the back screws then out.

To install the liners follow steps 1 to 5 in reverse.

### Important installation notes:

Ensuring the side brick liners are behind the baffle tabs and are flush against the firebox walls.

When sliding the baffle into place making sure to hook the back into place on the two loosened screws.

To install the log set follow the instruction in LOG SET AND EMBER INSTALLATION.

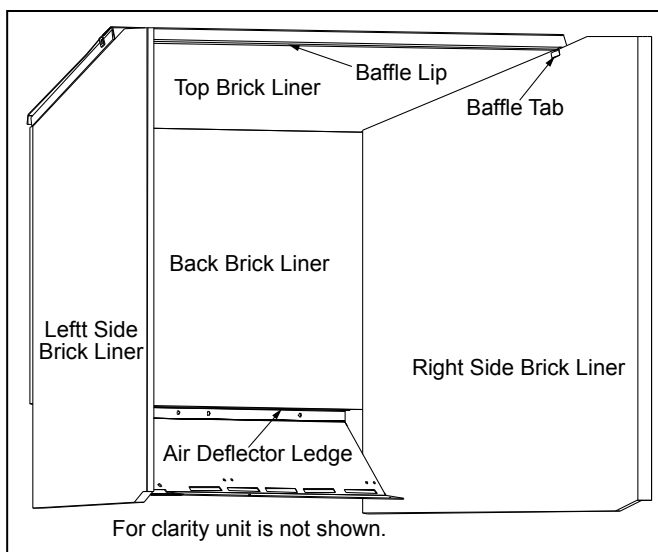


Figure 33: Cast Iron Brick Liner Installation.

## LOG SET AND EMBER INSTALLATION:

The placement of the logs is not arbitrary. If they are positioned incorrectly, the flames can be "pinched" and will not burn correctly. The burner (Figure 34) and a few of the logs come with locator pins, notches, and ledges which make alignment easier. The andirons and grate must be installed for the logs to be placed properly. Using the pictures provided, carefully set the logs in place (see Figures 35 through 41).

### NOTE: The logs are fragile and should be handled gently.

**Maintenance:** Once a year the logs should be removed and checked for deterioration or large amounts of soot. A small amount on the bottom side of the logs is normal. Remove and replace the logs in the same manner described in this section.

If new/more embers and rock wool is required, contact your nearest ENVIRO dealer.

### Never operate the fireplace with the glass door removed.

Figure 34: This is how the fire box looks with only the andirons and grate in place. This points out the three ledges at the back and three locator pins on the burner.

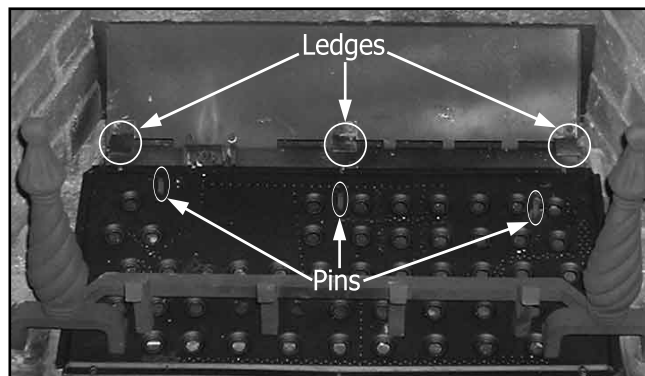


Figure 34. Placement of ledges and pegs in empty firebox.

# SECONDARY INSTALLATION

## LOG SET ASSEMBLY:

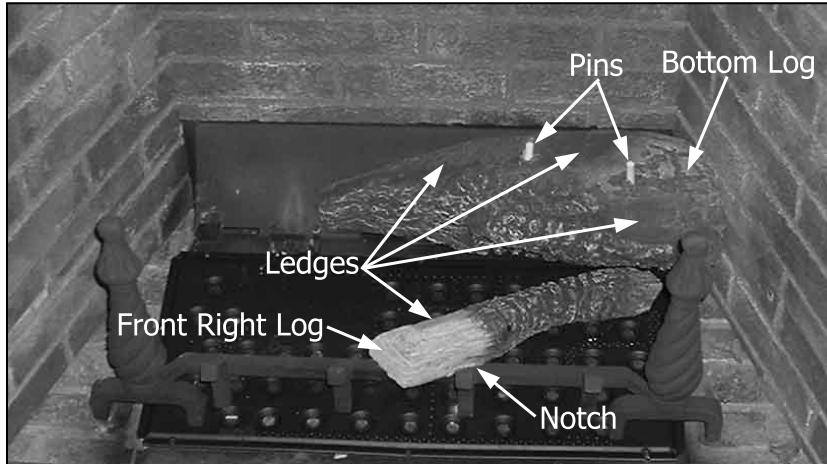


Figure 35. First Stage Log Set Installation

Figure 35: The first log to be placed is the **front right log**. The back end has a hole that sits on the right burner pin (see Figure 34) and the front has a notch that helps it rest on the center of the grate against one of the vertical bars. Second to be placed is the **bottom log**. The bottom log rests on the center and right ledge in the firebox (see Figure 34) and the large end must be flat against the right brick liner.

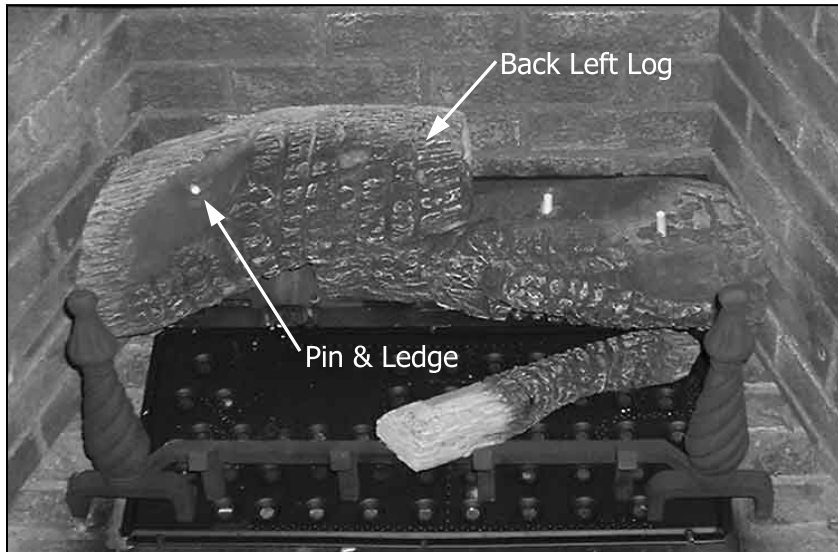


Figure 36. Second Stage Log Set Installation

Figure 36: The **back left log** rests on the left ledge in the firebox (see Figure 34) and the left ledge on the bottom log (see Figure 35). The large end must be flat against the left brick liner.

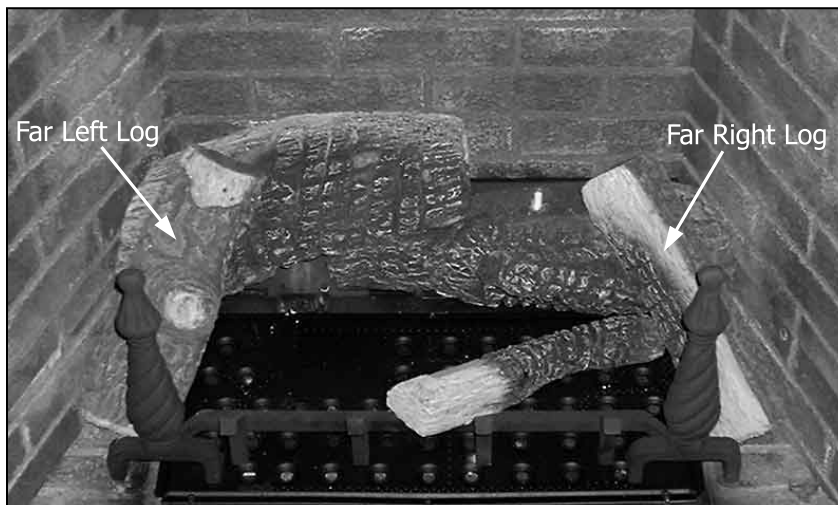


Figure 37. Third Stage Log Set Installation

Figure 37: The top of the **far left log** has a hole that rests on the pin and ledge of the back left log (see Figure 36). The bottom of the far left log rests against the base of the left andiron. The top of the **far right log** has a hole that rests on the right pin and ledge of the bottom log (see Figure 35) and the bottom of the far right log rests against the base of the right andiron.

## SECONDARY INSTALLATION

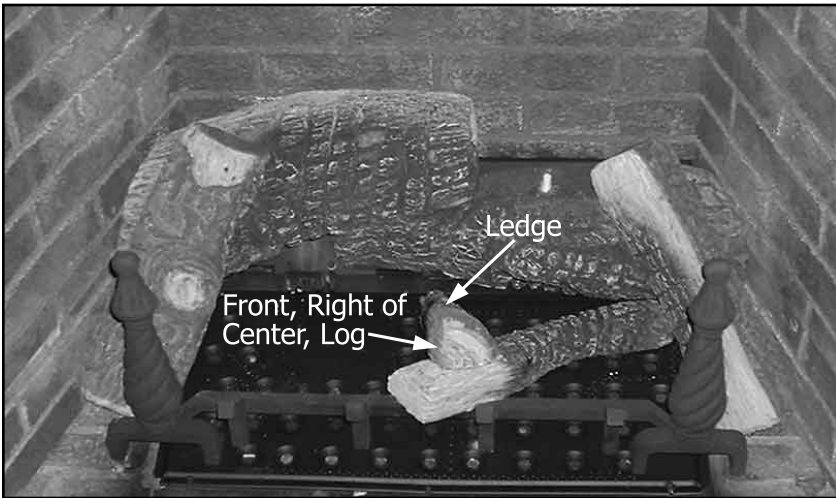


Figure 38. Fourth Stage Log Set Installation

Figure 38: Back end of the **front, right of center, log** has a hole that rests over the center burner pin (see Figure 34) and the front rest on the ledge of the front right log (see Figure 35).

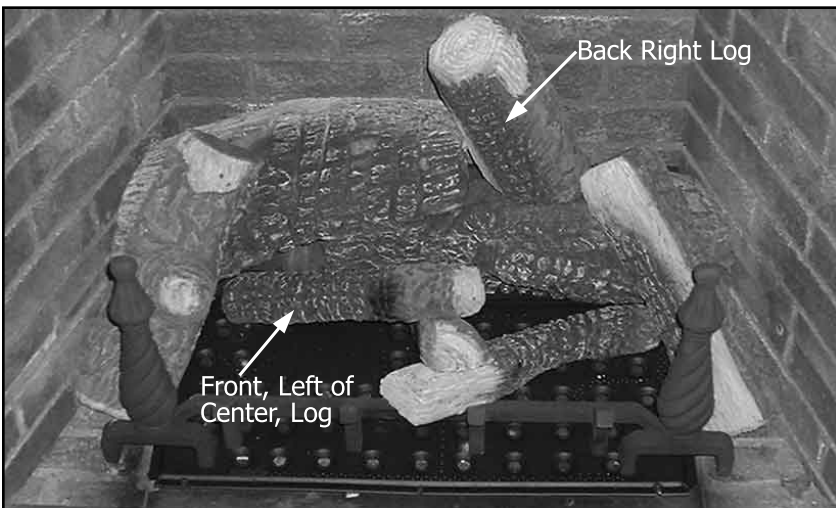


Figure 39. Fifth Stage Log Set Installation

Figure 39: The **back right log** sits on the center ledge and pin of the bottom log (see Figure 35) and leans against the back left log. The back end of the **front, left of center, log** has a hole that rests on the left burner pin (see Figure 34) and the front end rests on the ledge on the front, right of center, log (see Figure 38).

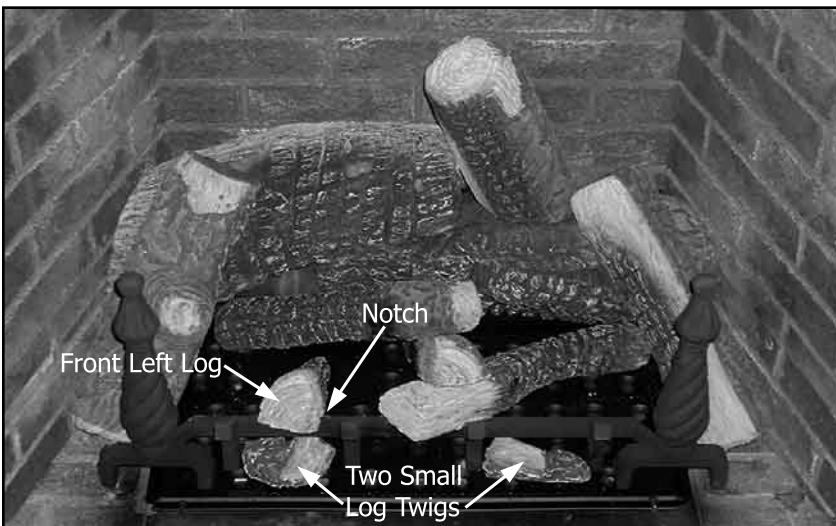


Figure 40. Final Log Set Arrangement

Figure 40: The **front left log** has a notch at it's wide end. This notch rests on the horizontal bar of the grate in the left gap. The back of the log rests freely on the burner where it will cover the least amount of burner holes. The **two small log twigs** are just placed under the grate, one in the left gap and the other in the right gap.

## SECONDARY INSTALLATION

Figure 41: Once the logs are in place the embers can be placed onto and around the burner to create a realistic look. Bags of ceramic fiber embers and rock wool are provided. The ceramic fiber comes in chunks that are about 2" (51 mm) long. Place them irregularly around the burner. When there is a sparse but even layer of embers, spread the rock wool in the same manner. **DO NOT** pack this ember material as this could create an unsafe condition. The pieces should be lightly placed so they don't completely block any of the small burner ports. **DO NOT** allow any of the embers to rest against the pilot assembly.

**Caution:** Use only the type of ember material supplied with this fireplace. Due to the irregular size of the ember material, there may be more than required. Use of other foreign materials on the burners may create dangerous conditions.



**Figure 41. Complete log set-up with embers.**



**Figure 42. DV50DX complete log set-up with embers burning.**

Figure 42: The DV50DX burning with a good flame.

**NOTE:** While the glass is still removed, it is recommended that the gas line be purged by lighting the pilot.

When lighting the fireplace for the first time since the log set and embers have been installed/replaced, watch for ignition at ALL the burner ports. If a long delay is noticed, turn the appliance off and wait for it to cool down. Then remove the glass and rearrange the ember material, making sure none of the burner ports are blocked.

# SECONDARY INSTALLATION

## BURNER AND FAN REMOVAL:

1. Remove brick liners, see steps 1 to 4 in SECONDARY INSTALLATION - CERAMIC BRICK LINER REMOVAL.
2. The control panel is held in place with a T-20 screw on each end of the panel. Remove the two (2) screws and the control panel.
3. Undo the six (6) screws holding the burner down, the andirons and grate can be removed from the burner or left on. Pull the burner to the left approximately 1" (25 mm), this is done in order to slide the venturi out of the venturi box. Remove the burner from the firebox.
4. Four (4) screws along the top of the air deflector hold it in place, remove the screws and the deflector.
5. Remove the ten (10) screws around the perimeter that hold the valve tray in place and remove the valve tray.
6. On either side of the fan there is a screw fastening the fan mount to the firebox, remove the screws to remove the fan.

Re-install everything by following steps 1 to 6 in reverse order.

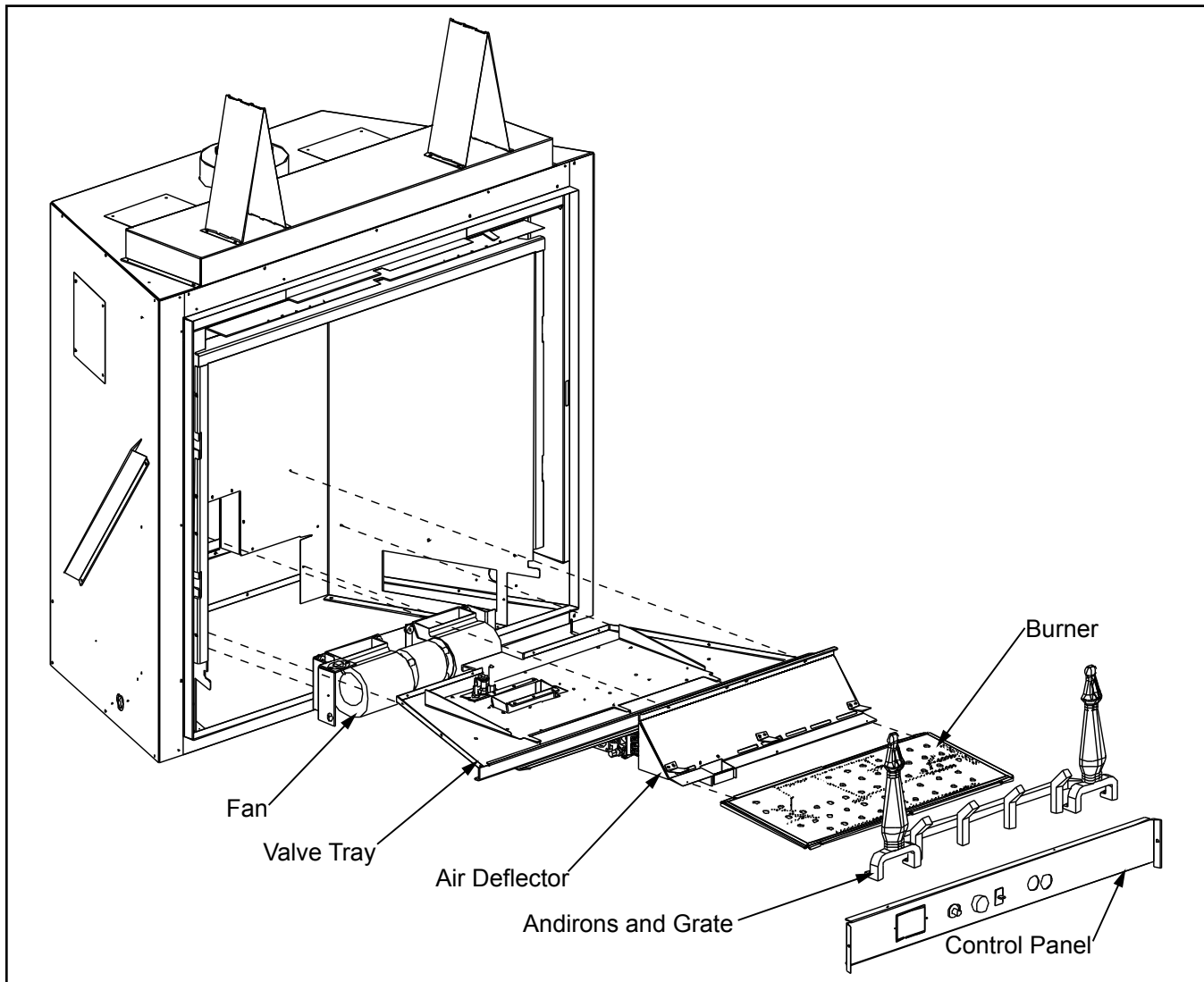


Figure 43: Removal of DV50DX Burner and Fan.

# TROUBLESHOOTING

<b>Problem</b>	<b>Possible Cause</b>	<b>Solution</b>
Spark will not light the pilot after repeatedly pressing the spark ignitor	Defective piezo ignitor	<ul style="list-style-type: none"> <li>• Check connections to ignitor.</li> <li>• If ignitor connections are good but no spark, replace ignitor.</li> </ul>
	Broken spark electrode	<ul style="list-style-type: none"> <li>• Check for broken ceramic insulation, replace electrode if broken.</li> </ul>
	Misaligned spark electrode	<ul style="list-style-type: none"> <li>• If spark is not arcing from electrode to pilot, adjust by loosening the screws on the pilot base. Adjust and tighten.</li> </ul>
Pilot will not remain lit	Problem with thermocouple circuit	<ul style="list-style-type: none"> <li>• Check for proper connection of the thermocouple to the rear of the valve; if loose fully tighten.</li> <li>• Check pilot for full flame impingement around thermocouple. If flame is too small, check gas pressure, adjust pilot rate screw, check pilot head for damage.</li> <li>• Check thermocouple voltage at valve. It must be greater than 5mV. If low, replace thermocouple.</li> </ul>
	Air in gas line (pilot dies while knob is depressed)	<ul style="list-style-type: none"> <li>• Bleed line.</li> <li>• Check gas line pressure.</li> <li>• Contact dealer.</li> </ul>
Burners will not remain lit	Problem with thermopile circuit	<ul style="list-style-type: none"> <li>• Check gas line pressure .</li> <li>• Check for flame impingement in thermopile. If low, see "Pilot will not remain lit".</li> <li>• Check thermopile for minimum of 300mV when burner is switched on.</li> <li>• Check wiring to thermostat for breaks.</li> </ul>
Flame lifting	Leak in vent pipe	<ul style="list-style-type: none"> <li>• Check for leaks in vent connections.</li> </ul>
	Improper vent configuration	<ul style="list-style-type: none"> <li>• Check vent configuration with manual.</li> </ul>
	Terminal may be recirculating flue gases	<ul style="list-style-type: none"> <li>• Check to see if terminal is on correctly.</li> <li>• May need to install high wind termination cap.</li> <li>• Contact dealer.</li> </ul>
Glass fogs up	Normal Condition: after the appliance warms up the glass will clear. **Due to additives in gas, glass may get hazy during operation** Clean as needed.	
Blue Flames	Normal during start up: flames will yellow as the fireplace heats up.	
Flames are burning "dirty" or sooting	Flame impingement	<ul style="list-style-type: none"> <li>• Check log positioning.</li> <li>• Increase primary air by opening the venturi shutter and/or by opening the vent restrictor.</li> </ul> See also "Burners will not stay lit".
Remote control doesn't work	Problem with the remote	<ul style="list-style-type: none"> <li>• One or more of the batteries are dead. See remote control instructions.</li> </ul>
	Problem with fireplace	<ul style="list-style-type: none"> <li>• The on/off switch is turned to OFF.</li> <li>• The gas control valve is turned to PILOT or OFF.</li> <li>• The pilot has gone out.</li> </ul>

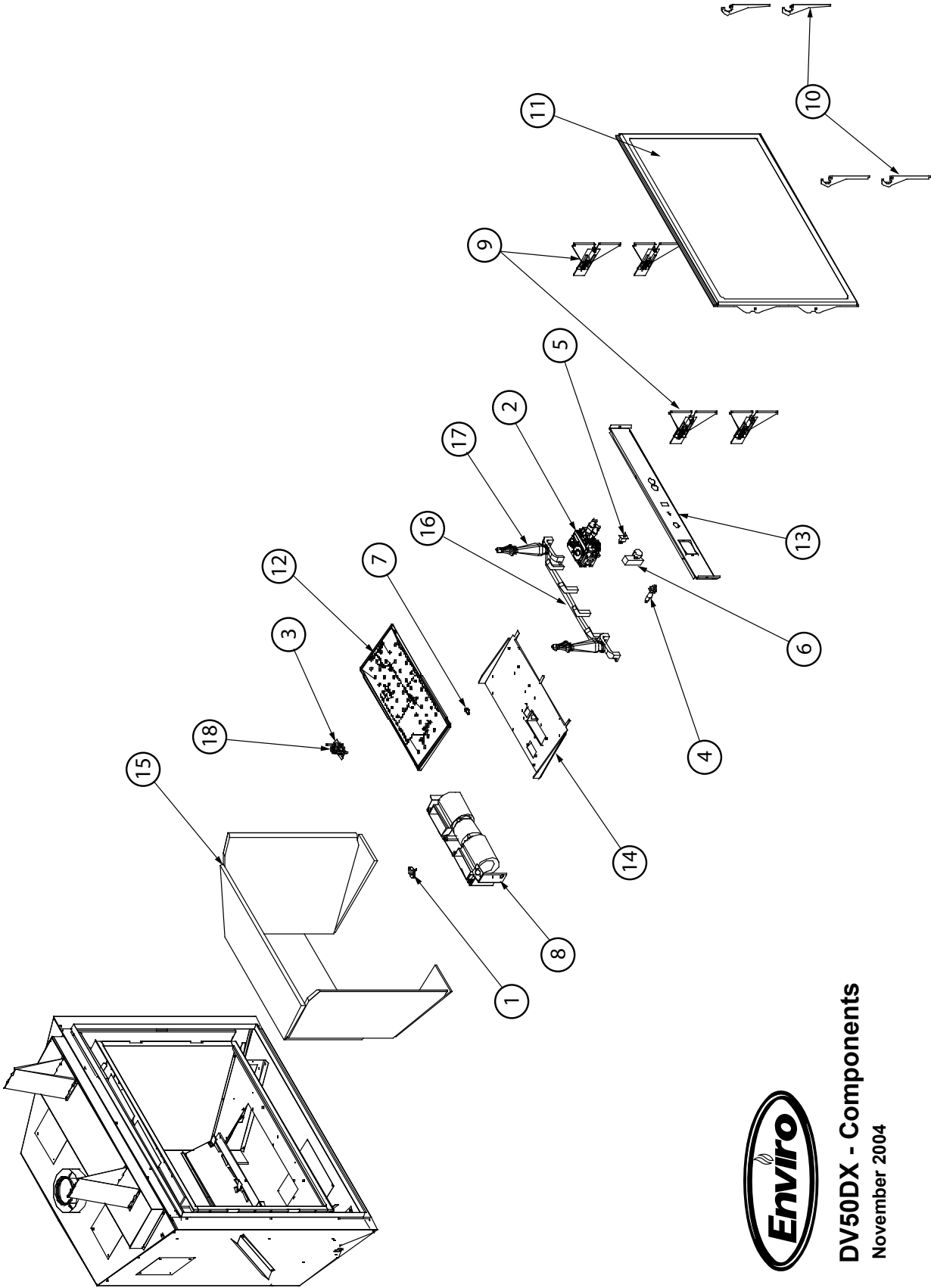
## PARTS LIST - COMPONENTS

---

Reference Number	Description	Part Number
1	120°F (49°C) Ceramic Fan Temperature Sensor	EC-001
2	S.I.T. Nova Valve NG (50% turn down)	EC-006
2	S.I.T. Nova Valve LP (50% turn down)	EC-007
3	Thermocouple	EC-009
3	Spark Electrode with Ignitor Cable	EC-011
3	Thermopile	EC-012
3	Pilot Orifice NG Threaded	EC-019
3	Pilot Orifice LP Threaded	EC-020
3	Pilot Gasket	EC-021
4	S.I.T. Piezo Ignitor	EC-023
5	Burner Switch	EC-025
6	Fan Controller - 115V	EC-039
	Domestic Power Cord - 115V	EC-042
	S.I.T. Pilot 1/8" Tube with End Ferrules	30-043
	Termination Cap	50-018
7	Blank Orifice #73	50-343
	Embers (need to order 2 sets)	50-491
8	Convection Blower - 115V	50-514
9	Door Latch Mechanism (requires 2 sets)	50-632
10	Door Handle Set (requires 2 sets)	50-635
11	Dual bulb door gasket - 10 feet (3.05 m)	50-634
11	Door, Glass & Gasket	50-718
12	Pan Burner	50-719
13	Control Panel	50-726
14	Burner Tray Complete	50-727
15	Ceramic Brick Liner	50-728
16	Grate	50-729
17	Andiron	50-730
	Log Set With Embers	50-731
	DV42DX Owner's Manual	50-741
	Conversion Kit from LPG to NG	50-742
	Conversion Kit from NG to LPG	50-1034
	Large Ember Nuggets Only	50-832
18	Three Flame Pilot Hood	50-925



# PARTS DIAGRAM



**Enviro**  
DV50DX - Components  
November 2004

## PARTS LIST- OPTIONS

---

Options	Part Number
The Lodge - Painted Charcoal Face With Plated Brushed Nickel Louvres & Knobs	50-702
The Chalet Painted Flat Arched Face - Metallic Charcoal	50-703
The Chalet Plated Flat Arched Face - Gold	50-704
The Chalet Plated Flat Arched Face - Brushed Nickel	50-705
The Chalet Plated Flat Arched Face -Antique Copper	50-706
The Cottage Bow Face Painted Charcoal - (No Trim)	50-707
The Cottage Trim Kit - Charcoal (Inset Piece, Carriage Bolts, Top & Bottom Trim)	50-708
The Cottage Trim Kit - Antique Copper (Inset Piece, Carriage Bolts, Top & Bottom Trim)	50-709
The Cottage Trim Kit - Pewter (Inset Piece, Carriage Bolts, Top & Bottom Trim)	50-710
The Cottage Trim Kit - Gold (Inset Piece, Carriage Bolts, Top & Bottom Trim)	50-711
The Cape Cod Arch With Opening Doors & Fire Screen Painted	50-712
On/Off Remote Control Kit	50-559
Programmable Wall Mounted Remote Control	50-583
The Lodge Steel Template	50-725
The Chalet Steel Template	50-722
The Cottage Steel Template	50-723
The Cape Cod Steel Template	50-724

# WARRANTY

---

Sherwood Industries Ltd. offers a Limited Lifetime Warranty on this gas product. This Limited Lifetime Warranty covers the appliance for a period of seven years from the date of installation. This warranty applies only to the original owner in the original location.

Covered under the lifetime warranty are the chassis and the heat exchanger. These steel components are covered against manufacturer's defects for seven years and the labour for the first year. The following exclusions apply: over-firing due to incorrect setup or tampering, damage caused by incorrect installation, usage or abuse. The unit must be properly installed by a qualified technician or installer, and must meet all local and national gas and building code requirements.

Under the Limited Lifetime Warranty, the following components are also covered: log set, burners and glass. The following exclusions apply:

Plated Finish: Damage caused by scratching, marring, chemicals, fingerprints, abrasive cleaners or discoloration with age. Items with Antique Copper that have had a green discoloration of the finish. If discoloration occurs, please follow the cleaning instructions as outlined in the "Maintenance And Service" section.

Glass: Damage caused by the use of harsh or abrasive cleaners, striking the glass, surface contaminants

Log Set: Damage caused by incorrect handling or misuse

Burners: Damage caused by improper or continuous operation under incorrect conditions

Sherwood Industries Ltd. offers a two-year warranty on all the electrical components and gas components, against manufacturing defects. Paint is also covered against flaking. This offer includes parts and labour for one year, and parts only thereafter.

**Your dealer shall make all claims under this warranty in writing. When filing a warranty claim please complete the following information on an official warranty claim form:**

**TO THE DEALER:**

Name, address and telephone number of purchaser and date of purchase, date of installation, name of installer and dealer, nature of complaint, defects or malfunction, description and part number of any parts replaced.

**TO THE DISTRIBUTOR:**

Sign and verify that work and information are correct.

This warranty covers defects in materials and workmanship only if the product has been installed according to the manual's instructions. If the product is damaged or broken as a result of misuse or mishandling, the warranty does not apply. The warranty does not cover removal and reinstallation costs.

Sherwood Industries Ltd. reserves the right to repair or replace the defective product. The shipping costs are to be paid by the consumer. All warranties by the manufacturer are set forth and no claim shall be made against the manufacturer on any oral warranty or representation.

Sherwood Industries Ltd. and its' employees or representatives will not assume any damages, either directly or indirectly, caused by improper usage, operation installation, servicing or maintenance of this appliance.

Sherwood Industries Ltd. reserves the right to make changes without notice. Please complete and mail the warranty registration card and have the installer fill in the installation data sheet in the back of the manual for warranty and future reference.

# INSTALLATION DATA SHEET

The following information must be recorded by the installer for warranty purposes and future reference.

NAME OF OWNER:  
\_\_\_\_\_  
  
ADDRESS:  
\_\_\_\_\_  
\_\_\_\_\_  
\_\_\_\_\_  
  
PHONE: \_\_\_\_\_

NAME OF DEALER:  
\_\_\_\_\_  
  
ADDRESS:  
\_\_\_\_\_  
\_\_\_\_\_  
\_\_\_\_\_  
  
PHONE: \_\_\_\_\_

MODEL: \_\_\_\_\_  
SERIAL NUMBER: \_\_\_\_\_  
DATE OF PURCHASE: \_\_\_\_\_ (dd/mm/yyyy)  
DATE OF INSTALLATION: \_\_\_\_\_ (dd/mm/yyyy)  
 NATURAL GAS (NAT)       PROPANE(LPG)  
INLET GAS PRESSURE: \_\_\_\_\_ in wc  
MAIN BURNER ORIFICE: \_\_\_\_\_ # DMS  
PILOT ORIFICE # \_\_\_\_\_ OR \_\_\_\_\_ in diam.  
INSTALLER'S SIGNATURE:  
\_\_\_\_\_

NAME OF INSTALLER:  
\_\_\_\_\_  
  
ADDRESS:  
\_\_\_\_\_  
\_\_\_\_\_  
\_\_\_\_\_  
  
PHONE: \_\_\_\_\_

MANUFACTURED BY:  
SHERWOOD INDUSTRIES LTD.  
6782 OLDFIELD RD. SAANICHTON, BC, CANADA V8M 2A3  
www.envirofire.biz  
November 26, 2004  
C-10767